

## **Excellent Integrated System Limited**

Stocking Distributor

Click to view price, real time Inventory, Delivery & Lifecycle Information:

[FCI](#)

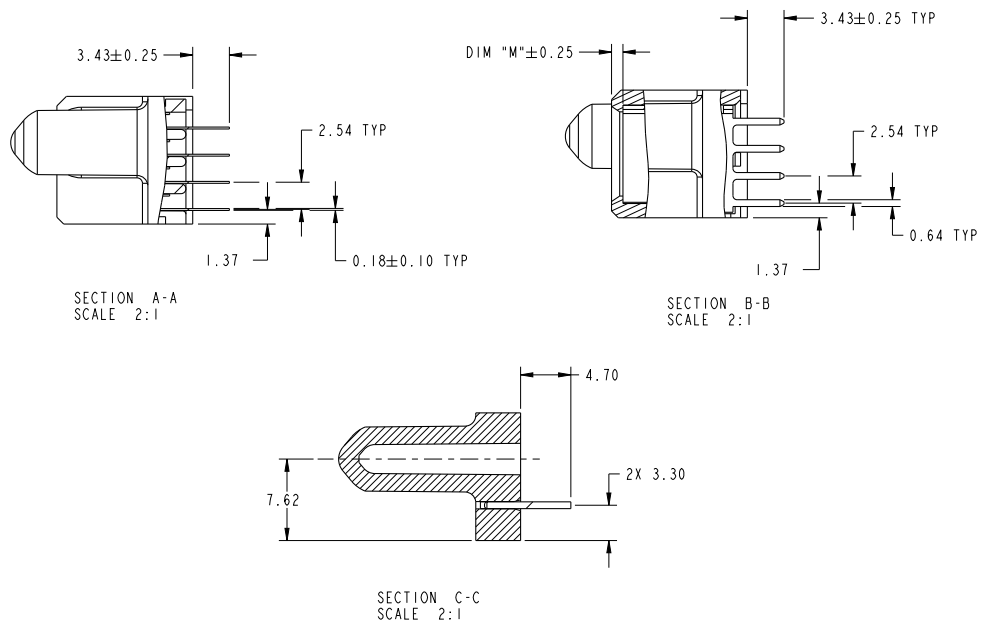
[51940-439LF](#)

For any questions, you can email us directly:

[sales@integrated-circuit.com](mailto:sales@integrated-circuit.com)

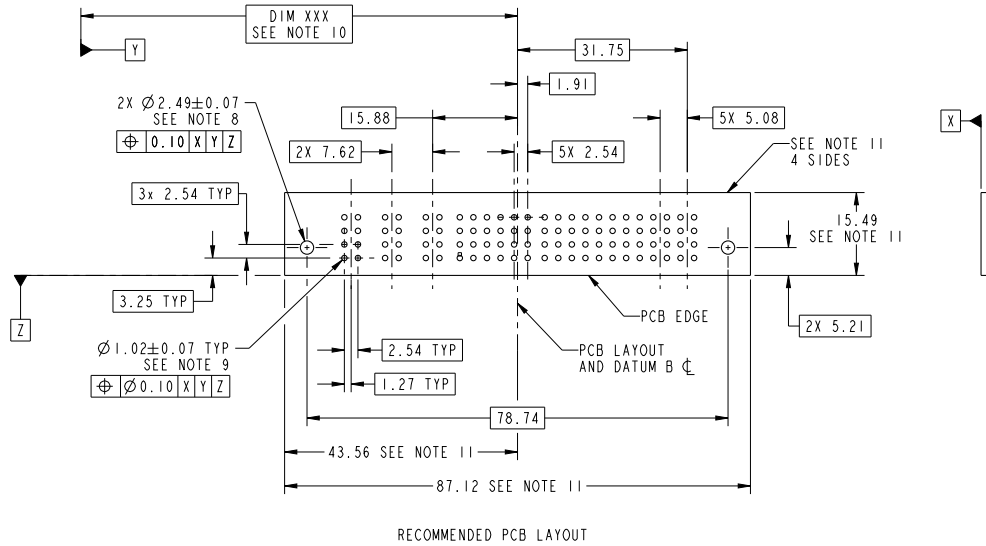


PRODUCT NUMBER  
51940-439...  
NOTE: 3



dr	Luo Weller	2012/06/07	projection	MM	size	A4	scale	1:1
eng	Luo Weller	2012/09/12			ecn no	-		
chr	-	-	product family	PwrBlade	rel level	<b>Released</b>		
appr	Pei-Ming Zheng	2012/09/12	title		6DCP + 24S + 3ACP	dwg no		51940-439
www.fci.com			VERTICAL SOLDER RECEPT		rev		<b>A</b>	
cat. no.			*		Product - Customer Drw		sheet 2 of 4	

PRODUCT NUMBER  
51940-439...  
NOTE: 3



RECOMMENDED PCB LAYOUT

dr	Luo Weller	2012/06/07	projection	MM	size	A4	scale	1:1
eng	Luo Weller	2012/09/12			ecn no	-	rel level	Released
chr	-	-			product family	PwrBlade		
appr	Pei-Ming Zheng	2012/09/12			6DCP + 24S + 3ACP VERTICAL SOLDER RECEPT		product no 51940-439	rev A
www.fci.com			cat. no.	*	Product - Customer Drw		sheet 3 of 4	

Print File : REC - 2009-08-09



Copyright FCI.

PRODUCT NUMBER  
51940-439\_ \_  
NOTE: 3

NOTES:

1. DIMENSIONS AND TOLERANCES ARE IN ACCORDANCE WITH ASME Y14.5M, 1994 UNLESS OTHERWISE SPECIFIED.

CONNECTOR NOTES:

- ② HOUSING MATERIAL: UL 94 V-0 GLASS FILLED HIGH-TEMP THERMOPLASTIC  
POWER CONTACT MATERIAL: COPPER ALLOY  
SIGNAL PIN MATERIAL: COPPER ALLOY
- 3. SEE ITEM 5 & 6 IN PRINT 10064183 FOR PLATING SPEC OF 51940-439 AND 51940-439LF RESPECTIVELY.
- ④ MANUFACTURER'S NAME, DATE CODE AND OPTIONAL P/N TO APPEAR ON THIS SURFACE. THE P/N CAN BE OMITTED IF THERE IS NOT ENOUGH SPACE ON THIS SURFACE.
- 5. PRODUCT SPECIFICATION GS-12-149.  
APPLICATION SPECIFICATION BUS-20-067.
- 6. PACKAGED IN TRAYS.

PCB NOTES:

- 7. ALL HOLE DIAMETERS ARE FINISHED HOLE SIZE.
- ⑧ MOUNTING HOLES, WHERE APPLICABLE, ARE UNPLATED.
- ⑨  $\varnothing 1.151 \pm 0.025$  DRILLED HOLES PLATED WITH 0.008 MIN SnPb OR Sn OVER 0.03 TO 0.08 Cu PLATING TO ACHIEVE  $\varnothing 1.02 \pm 0.07$  HOLE.
- ⑩ "DIM XXX" TO BE DETERMINED BY THE CUSTOMER.
- ⑪ CONNECTOR KEEP-OUT ZONE.
- 12. THE VOID CORING IN BETWEEN POWER MODULES, SIGNAL MODULES AND END MODULES ARE OPTIONAL AND THE SHAPE MAY BE DIFFERENT FOR OPTIMIZE THE MOLDING PROCESS. THE VOID CORING WILL NOT EFFECT TO PRODUCT FUNCTION.

dr	Luo Weller	2012/06/07	projection		MM	size	A4	scale	1:1
eng	Luo Weller	2012/09/12	chr			-	ecn no	-	
appr	Pei-Ming Zheng	2012/09/12	product family	PwrBlade		rel level	Released		
		title 6DCP + 24S + 3ACP VERTICAL SOLDER RECEPT			dwg no 51940-439		rev A		
www.fci.com		cat. no.	*	Product - Customer Drw			sheet 4 of 4		

Print File : REC - 2009-01-09



Copyright FCI.