

Excellent Integrated System Limited

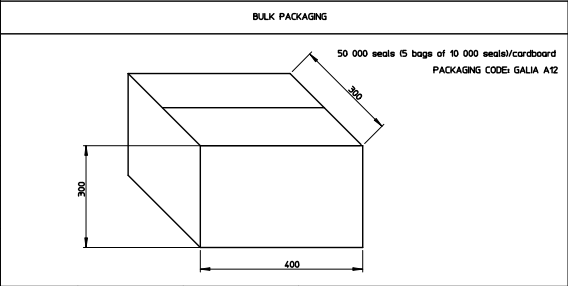
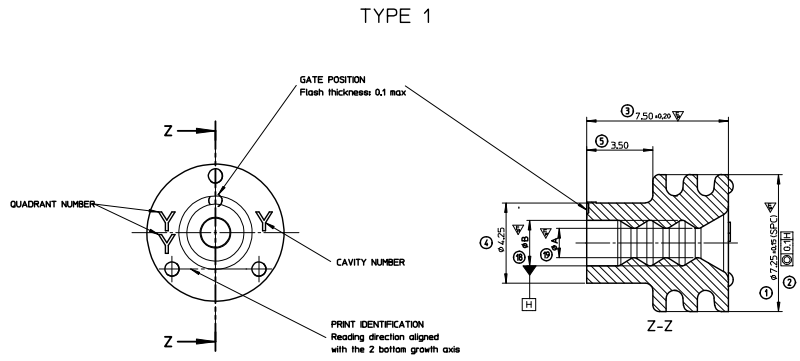
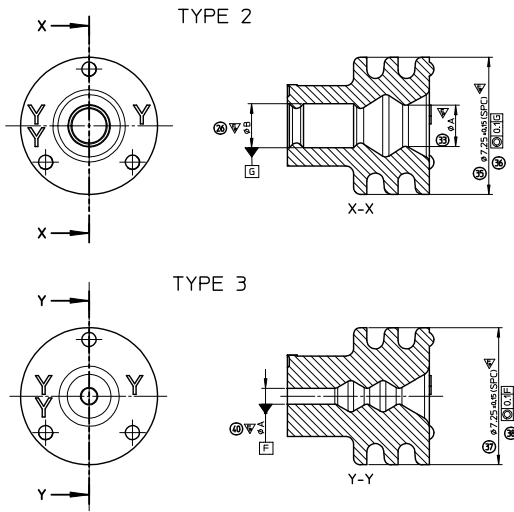
Stocking Distributor

Click to view price, real time Inventory, Delivery & Lifecycle Information:

[Molex Connector Corporation](#)
[0643251366](#)

For any questions, you can email us directly:

sales@integrated-circuit.com



MOLEX PART NUMBER	COLOR	TYPE	ALLOWED WIRE DIAMETER	WEIGHT (g)	#A	#B
0643251366	BLUE	2	3.40/4.20	0.137	2.55/2.70	2.80/2.95
0643251358	GREY	2	2.65/3.50	0.158	2.00/2.15	2.20/2.35
0643251345	GREEN	1	2.00/2.80	0.168	1.40/1.70	2.25/2.55
0643251332	RED	3	1.30/2.15	0.190	0.70/1.00	-

(SPC: DENOTE SPC DIMENSION (3))

QUALITY SYMBOL COUNT
PERFORMANCE ▽ - 10
ASSEMBLY ▽ - 0
CUSTOMER ▽ - 0

▽ MATERIAL SPECIFICATION : Silicon elastomer type LSR self bleeding (2% approx)

Flash max 0.1. No cut, no short shots, no fear, no distortion on seal lips allowed.

UPDATE TYPE 2 REC NO. CONTROL SHEET DORNAVERHERE 2012/09/17 CHKD/DUCLIOS 2012/09/20 APPROVED/LESSIS 2012/10/24 REVISION DESCRIPTION	GENERAL TOLERANCES (UNLESS SPECIFIED)		DIMENSION STYLE	SCALE	DESIGN UNITS	FIRST ANGLE PROJECTION	
		mm	INCH	MM ONLY	10:1	METRIC	
	4 PLACES	± 0.1	± 0.004				
	3 PLACES	± 0.1	± 0.004				
	2 PLACES	± 0.1	± 0.004				
1 PLACE	± 0.1	± 0.004					
0 PLACE	± 0.1	± 0.004					
	ANGULAR	± 1/2°					
DRAFT WHERE APPLICABLE MUST REMAIN WITHIN DIMENSIONS		SEE CHART		DOCUMENT NO.		SHEET NO.	
				SD-64325-006		1 OF 1	
THIS DRAWING CONTAINS INFORMATION THAT IS PROPRIETARY TO MOLEX INCORPORATED AND SHOULD NOT BE USED WITHOUT WRITTEN PERMISSION							