

## Excellent Integrated System Limited

Stocking Distributor

Click to view price, real time Inventory, Delivery & Lifecycle Information:

[Molex Connector Corporation](#)  
[0732510840](#)

For any questions, you can email us directly:

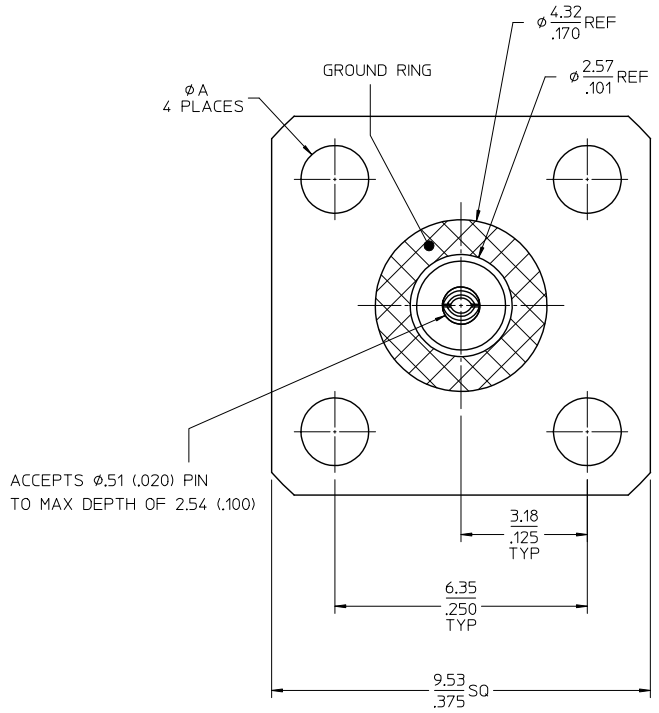
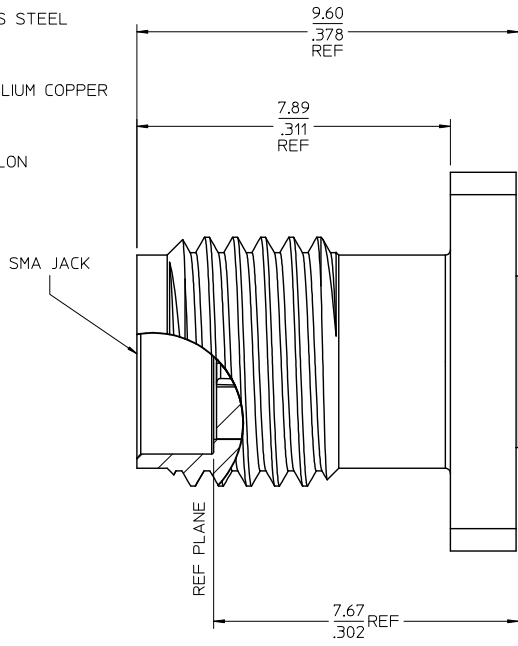
[sales@integrated-circuit.com](mailto:sales@integrated-circuit.com)

MATERIALS AND FINISHES

BODY: STAINLESS STEEL  
PASSIVATED

CONTACT: BERYLLIUM COPPER  
PLATED GOLD

INSULATOR: TEFLON



73251-0841	2.06 / .081
73251-0840	1.70 / .067
PART NO.	MM / IN
	DIM A

CHG: REDREW IN SD MAX PIN DEPTH WAS .110 EC NO: URF2013-0626 2013/05/08 DRAWN: JWIENER 2013/05/08 CHKD: SSS 2013/05/08 APPR: JWIENER 2013/05/09	QUALITY SYMBOLS ▽=0 ▽=0	GENERAL TOLERANCES (UNLESS SPECIFIED)		DIMENSION STYLE MM/IN		SCALE	DESIGN UNITS	THIRD ANGLE PROJECTION																
		<table border="1"> <tr> <th></th> <th>mm</th> <th>INCH</th> </tr> <tr> <td>4 PLACES</td> <td>± .005</td> <td>± .0005</td> </tr> <tr> <td>3 PLACES</td> <td>± .005</td> <td>± .0005</td> </tr> <tr> <td>2 PLACES</td> <td>± .005</td> <td>± .0005</td> </tr> <tr> <td>1 PLACE</td> <td>± .005</td> <td>± .0005</td> </tr> </table>			mm	INCH	4 PLACES	± .005	± .0005	3 PLACES	± .005	± .0005	2 PLACES	± .005	± .0005	1 PLACE	± .005	± .0005	DRAWN BY JWIENER 2013/05/08		DATE	TITLE SMA JACK FIELD REPLAC, 4 HOLE FLANGE .020 PIN SMA-JR/F EWR-1594		
			mm	INCH																				
		4 PLACES	± .005	± .0005																				
3 PLACES	± .005	± .0005																						
2 PLACES	± .005	± .0005																						
1 PLACE	± .005	± .0005																						
ANGULAR ± 2°		CHECKED BY SSS 2013/05/08		DATE	MOLEX INCORPORATED																			
DRAFT WHERE APPLICABLE MUST REMAIN WITHIN DIMENSIONS		MATERIAL NO. SEE TABLE		APPROVED BY JWIENER 2013/05/09		DATE	DOCUMENT NO.	SHEET NO.																
							SD-73251-084	1 OF 1																
THIS DRAWING CONTAINS INFORMATION THAT IS PROPRIETARY TO MOLEX INCORPORATED AND SHOULD NOT BE USED WITHOUT WRITTEN PERMISSION																								