

Excellent Integrated System Limited

Stocking Distributor

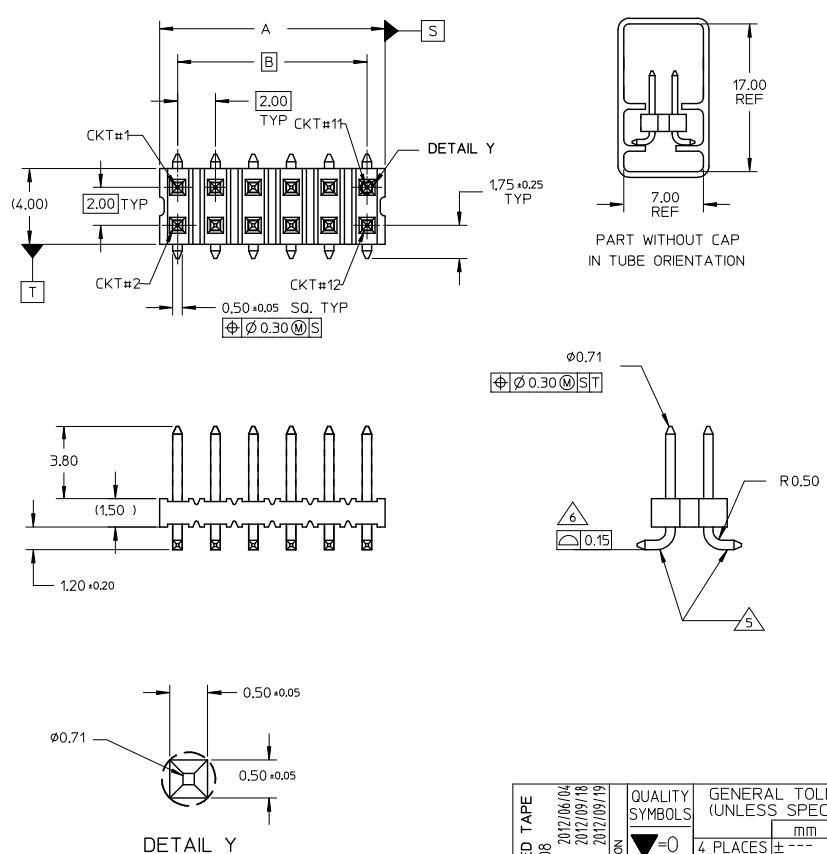
Click to view price, real time Inventory, Delivery & Lifecycle Information:

[Molex Connector Corporation](#)
[0877592074](#)

For any questions, you can email us directly:

sales@integrated-circuit.com

10 9 8 7 6 5 4 3 2 1

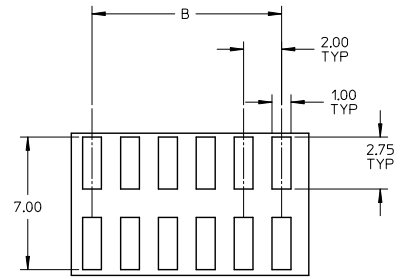
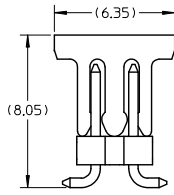
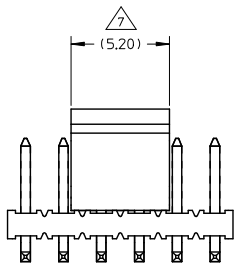


- NOTE:
- MATERIAL:
HSG & CAP - NYLON, GLASS FILLED
UL 94V-0, COLOUR BLACK
PIN - 0.50 SQ PHOSPHOR BRONZE
 - PLATING OPTION:
(1) 0.38um MIN GOLD PLATE AT CONTACT AREA,
TIN PLATE AT SOLDER AREA,
BOTH OVER NICKEL UNDERPLATE
(2) 0.05 - 0.25um GOLD PLATE AT CONTACT AREA,
TIN PLATE AT SOLDER AREA,
BOTH OVER NICKEL UNDERPLATE
 - PIN PUSHOUT FORCE: 1KG MIN IN EITHER DIRECTION
 - PRODUCT SPEC PS-87761-100 APPLIES.
 - BEND DEPRESSION IS ACCEPTABLE SO LONG AS IT DOES NOT AFFECT THE OVERALL COPLANARITY OF TAIL.
 - COPLANARITY IS TO BE MEASURED BY RESTING THE SOLDER TAIL ON A FLAT SURFACE.
 - CAP TO BE LOCATED AS CENTRAL OF PART AS POSSIBLE
TOP SURFACE OF CAP TO BE FLAT FOR THE PURPOSE OF PICK & PLACE BY VACUUM SUCTION NOZZLE.
 - FOR ILLUSTRATION PURPOSES, 12CKT IS SHOWN.
 - CKT 4 & 6 IS CUT FROM CKT 8 & 12 RESPECTIVELY
ROUGH EDGES ARE EXPECTED ALONG THE CUTTING EDGES.
 - PART TO BE PACKED IN TRAY ONLY.
 - TUBE LENGTH IS 560MM REF STANDARD.

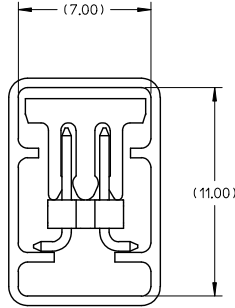
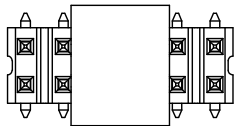
REVISE EMBOSSED TAPE EC NO: S2012-0908 DRAWN BY: DRW:SKANG CHKD BY: CHK:ATSEE APPR: MLONG DATE: 2012/06/04 DATE: 2012/09/18 DATE: 2012/09/19	QUALITY SYMBOLS	GENERAL TOLERANCES (UNLESS SPECIFIED)		DIMENSION STYLE		SCALE	DESIGN UNITS	THIRD ANGLE PROJECTION	
	▽=0	mm	INCH	MM ONLY		NTS	METRIC	M	
	▽=0	4 PLACES ± --- ± ---	3 PLACES ± --- ± ---	DRAWN BY	DATE	TITLE			
		2 PLACES ± 0.2 ± ---	1 PLACE ± --- ± ---	KSEE	2003/12/12	CUSTOM HEADER MGRID, 2MM DUAL ROW HDR. SMT			
	ANGULAR ± 3 °	DRAFT WHERE APPLICABLE MUST REMAIN WITHIN DIMENSIONS		CHECKED BY	DATE	MOLEX INCORPORATED			
				APPROVED BY	DATE	DOCUMENT NO.		SHEET NO.	
				SKTOH	2004/01/12	SD-87759-117		1 OF 7	
				SEE TABLE		THIS DRAWING CONTAINS INFORMATION THAT IS PROPRIETARY TO MOLEX INCORPORATED AND SHOULD NOT BE USED WITHOUT WRITTEN PERMISSION			

9 8 7 6 5 4 3 2 1

10 9 8 7 6 5 4 3 2 1



RECOMMENDED SOLDER PAD LAYOUT

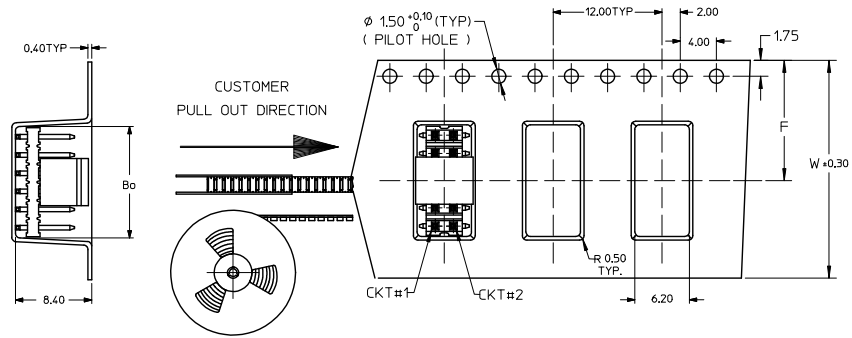


REVISE EMBOSSED TAPE EC NO. S2012-0908 DRAWN:KANG 2012/06/04 CHK:DATSEE 2012/09/18 APPR:MLONG 2012/09/19	QUALITY SYMBOLS ▼=0 ▽=0	GENERAL TOLERANCES (UNLESS SPECIFIED)		DIMENSION STYLE MM ONLY		SCALE NTS	DESIGN UNITS METRIC	THIRD ANGLE PROJECTION
		4 PLACES ± --- ± ---	DRAWN BY KSEE	DATE 2003/12/12	TITLE CUSTOM HEADER MGRID, 2MM DUAL ROW HDR. SMT			
		3 PLACES ± --- ± ---	CHECKED BY KCLING	DATE 2004/01/12	MOLEX INCORPORATED			
		2 PLACES ± 0.2 ± --- 1 PLACE ± --- ± --- ANGULAR ± 3°	APPROVED BY SKTOH	DATE 2004/01/12	MATERIAL NO. SEE TABLE	DOCUMENT NO. SD-87759-117	SHEET NO. 2 OF 7	
B7	DRAFT WHERE APPLICABLE MUST REMAIN WITHIN DIMENSIONS	THIS DRAWING CONTAINS INFORMATION THAT IS PROPRIETARY TO MOLEX INCORPORATED AND SHOULD NOT BE USED WITHOUT WRITTEN PERMISSION						

9 8 7 6 5 4 3 2 1

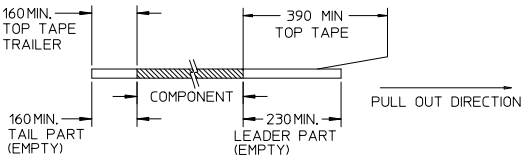
10 9 8 7 6 5 4 3 2 1

EMBOSSED CARRIER TAPE TYPE "A"

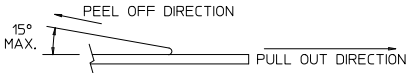


NOTES:

12. LEADER AND TRAILER TAPE



13. PEELING OFF FORCE OF THE TOP TAPE: 20-80gf.
(PEELING DIRECTION AS SHOWN IN FOLLOWING FIGURE)



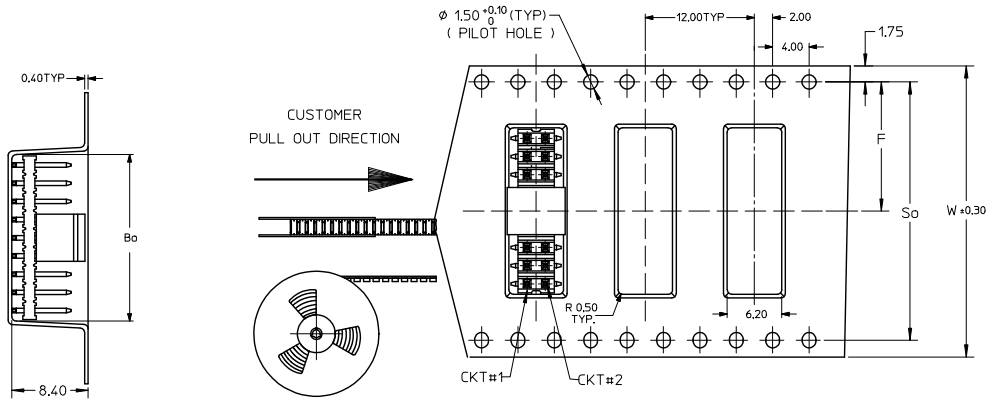
- 14. PACKAGING STANDARD IS AS PER EIA-481.
- 15. TAPE & REEL QUANTITY = SEE TABLE
- 16. THE TAPE IS TREATED FOR ANTI-STATIC

REVISE EMBOSSED TAPE EC. NO.: S2012-0908 DRWN:SKANG CHK'DAT:SEE APPR:MLONG 2012/06/04 2012/09/18 2012/09/19 REV B7	QUALITY SYMBOLS ▼=0 ▽=0	GENERAL TOLERANCES (UNLESS SPECIFIED) 4 PLACES ± --- ± --- 3 PLACES ± --- ± --- 2 PLACES ± 0.2 ± --- 1 PLACE ± --- ± --- ANGULAR ± 3°	DIMENSION STYLE MM ONLY DRAWN BY DATE KSEE 2003/12/12 CHECKED BY DATE KCLING 2004/01/12 APPROVED BY DATE SKTOH 2004/01/12	SCALE NTS DESIGN UNITS METRIC THIRD ANGLE PROJECTION	TITLE CUSTOM HEADER MGRID, 2MM DUAL ROW HDR. SMT	MOLEX INCORPORATED DOCUMENT NO. SD-87759-117	SHEET NO. 3 OF 7
	DRAFT WHERE APPLICABLE MUST REMAIN WITHIN DIMENSIONS		MATERIAL NO. SEE TABLE	MOLEX INCORPORATED		THIS DRAWING CONTAINS INFORMATION THAT IS PROPRIETARY TO MOLEX INCORPORATED AND SHOULD NOT BE USED WITHOUT WRITTEN PERMISSION	

9 8 7 6 5 4 3 2 1

10 9 8 7 6 5 4 3 2 1

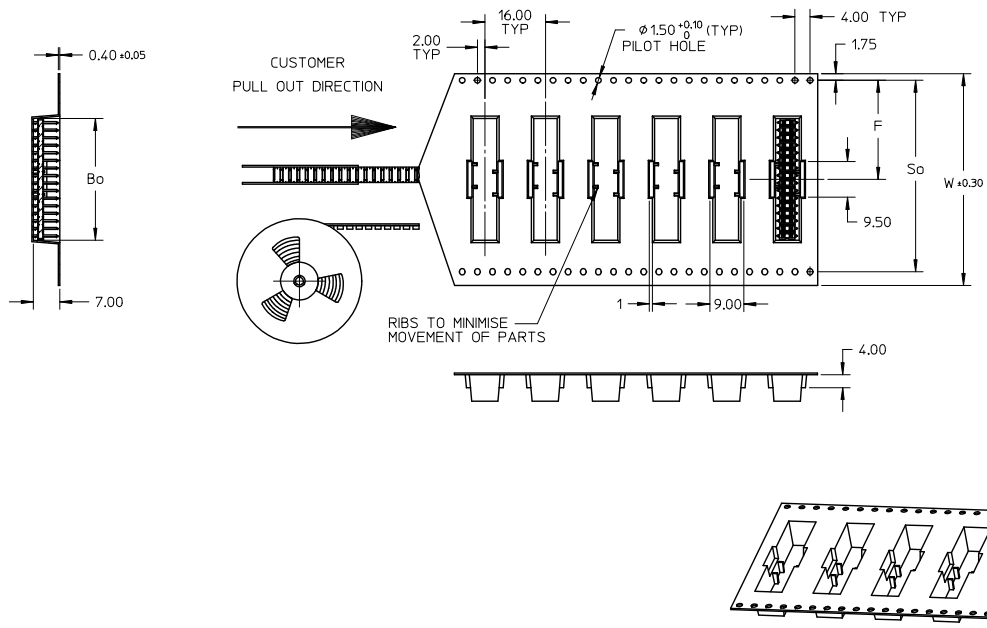
EMBOSSED CARRIER TAPE TYPE "B"



REVISE EMBOSSED TAPE EC NO: S2012-0908 DRAWN: KANG CHK: DATSEE APPR: HLONG 2012/06/04 2012/09/18 2012/09/19	QUALITY SYMBOLS ▽=0 ▽=0	GENERAL TOLERANCES (UNLESS SPECIFIED)		DIMENSION STYLE MM ONLY		SCALE NTS	DESIGN UNITS METRIC	THIRD ANGLE PROJECTION		
		4 PLACES ± --- ± --- 3 PLACES ± --- ± --- 2 PLACES ± 0.2 ± --- 1 PLACE ± --- ± --- ANGULAR ± 3 °	mm INCH	DRAWN BY KSEE	DATE 2003/12/12	TITLE CUSTOM HEADER MGRID, 2MM DUAL ROW HDR. SMT				
		DRAFT WHERE APPLICABLE MUST REMAIN WITHIN DIMENSIONS	MATERIAL NO. SEE TABLE		CHECKED BY KCLING	DATE 2004/01/12	MOLEX INCORPORATED			
	B7		SIZE A3		APPROVED BY SKTOH	DATE 2004/01/12	DOCUMENT NO. SD-87759-117	SHEET NO. 4 OF 7		

9 8 7 6 5 4 3 2 1

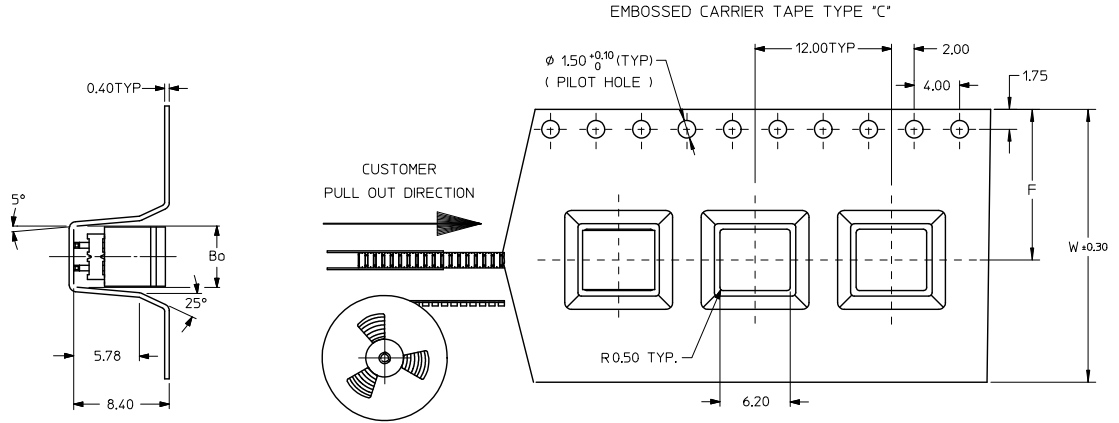
EMBOSSED CARRIER TAPE TYPE 'B1'



REVISE EMBOSSED TAPE IEC NO: S2012-0908 DRAWN: SKANG 2012/06/04 CHECKED: SEE 2012/09/18 APPROVED: LONG 2012/09/19	QUALITY SYMBOLS	GENERAL TOLERANCES (UNLESS SPECIFIED)		DIMENSION STYLE MM ONLY		SCALE NTS	DESIGN UNITS METRIC	THIRD ANGLE PROJECTION	
	$\nabla=0$ $\nabla=0$ $\nabla=0$	4 PLACES ± --- ± ---	3 PLACES ± --- ± ---	2 PLACES ± 0.2 ± ---	1 PLACE ± --- ± ---	0 PLACE ± ±	TITLE CUSTOM HEADER MGRID, 2MM DUAL ROW HDR. SMT molex		DOCUMENT NO. SD-87759-117
		ANGULAR ± 3 °		MATERIAL NO.		SEE TABLE		SHEET NO. 5 OF 7	
		DRAFT WHERE APPLICABLE MUST REMAIN WITHIN DIMENSIONS		SIZE A3		THIS DRAWING CONTAINS INFORMATION THAT IS PROPRIETARY TO MOLEX INCORPORATED AND SHOULD NOT BE USED WITHOUT WRITTEN PERMISSION			

10 9 8 7 6 5 4 3 2 1

THIS TYPE OF CARRIER IS FOR CKT SIZE 8 AND BELOW.

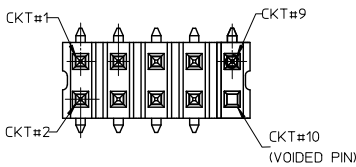


REVISE EMBOSSED TAPE EC NO: S2012-0908 DRAWN: KWANG CHK: DATSEE APPR: HLONG 2012/06/04 2012/09/18 2012/09/19	QUALITY SYMBOLS ▽=0 ▽=0	GENERAL TOLERANCES (UNLESS SPECIFIED) <table border="1"> <thead> <tr> <th></th> <th>mm</th> <th>INCH</th> </tr> </thead> <tbody> <tr> <td>4 PLACES</td> <td>±---</td> <td>±---</td> </tr> <tr> <td>3 PLACES</td> <td>±---</td> <td>±---</td> </tr> <tr> <td>2 PLACES</td> <td>±0.2</td> <td>±---</td> </tr> <tr> <td>1 PLACE</td> <td>±---</td> <td>±---</td> </tr> <tr> <td colspan="3">ANGULAR ± 3°</td> </tr> </tbody> </table>		mm	INCH	4 PLACES	±---	±---	3 PLACES	±---	±---	2 PLACES	±0.2	±---	1 PLACE	±---	±---	ANGULAR ± 3°			DIMENSION STYLE MM ONLY	SCALE NTS	DESIGN UNITS METRIC	THIRD ANGLE PROJECTION
		mm	INCH																					
	4 PLACES	±---	±---																					
	3 PLACES	±---	±---																					
2 PLACES	±0.2	±---																						
1 PLACE	±---	±---																						
ANGULAR ± 3°																								
REV B7	DESCRIPTION DRAFT WHERE APPLICABLE MUST REMAIN WITHIN DIMENSIONS	<table border="1"> <thead> <tr> <th>DRAWN BY</th> <th>DATE</th> <th>TITLE</th> </tr> </thead> <tbody> <tr> <td>KSEE</td> <td>2003/12/12</td> <td rowspan="3"> CUSTOM HEADER MGRID, 2MM DUAL ROW HDR. SMT </td> </tr> <tr> <td>CHECKED BY</td> <td>DATE</td> </tr> <tr> <td>KCLING</td> <td>2004/01/12</td> </tr> <tr> <td>APPROVED BY</td> <td>DATE</td> <td> MOLEX INCORPORATED </td> </tr> <tr> <td>SKTOH</td> <td>2004/01/12</td> <td> MOLEX INCORPORATED </td> </tr> </tbody> </table>	DRAWN BY	DATE	TITLE	KSEE	2003/12/12	CUSTOM HEADER MGRID, 2MM DUAL ROW HDR. SMT	CHECKED BY	DATE	KCLING	2004/01/12	APPROVED BY	DATE	MOLEX INCORPORATED	SKTOH	2004/01/12	MOLEX INCORPORATED	MATERIAL NO. SEE TABLE	DOCUMENT NO. SD-87759-117	SHEET NO. 6 OF 7			
DRAWN BY	DATE	TITLE																						
KSEE	2003/12/12	CUSTOM HEADER MGRID, 2MM DUAL ROW HDR. SMT																						
CHECKED BY	DATE																							
KCLING	2004/01/12																							
APPROVED BY	DATE	MOLEX INCORPORATED																						
SKTOH	2004/01/12	MOLEX INCORPORATED																						
		THIS DRAWING CONTAINS INFORMATION THAT IS PROPRIETARY TO MOLEX INCORPORATED AND SHOULD NOT BE USED WITHOUT WRITTEN PERMISSION																						

9 8 7 6 5 4 3 2 1

	10	9	8	7	6	5	4	3	2	1					
	PART NUMBER WITHOUT CAP IN TUBE	PART NUMBER WITH CAP IN TUBE	PART NUMBER WITH CAP IN TAPE AND REEL.	PART NUMBER WITHOUT CAP IN TAPE AND REEL.	CKT SIZE	VOID CKTS	A	B	Bo	F	So	W	EMBOSSED TYPE	QTY/ REEL	PLATING OPTION
F	87759-0414	87759-0464	87759-0474	-	4	--	NA	2.00	5.40	11.50	-	24.00	C	750	1
	87759-0614	87759-0664	87759-0674	-	6	--	NA	4.00	7.20	11.50	-	24.00	C		
	87759-0814	87759-0864	87759-0874	-	8	--	7.90	6.00	8.20	11.50	-	24.00	C		
	87759-1014	87759-1064	87759-1074	-	10	--	9.90	8.00	10.20	11.50	-	24.00	A		
	87759-1002	87759-1003	87759-1004	-	10	10	9.90	8.00	10.20	11.50	-	24.00	A		
	87759-1214	87759-1264	87759-1274	-	12	--	11.90	10.00	12.20	11.50	-	24.00	A		
E	87759-1414	87759-1464	87759-1474	-	14	--	13.90	12.00	14.20	11.50	-	24.00	A		
	87759-1614	87759-1664	87759-1674	-	16	--	15.90	14.00	16.20	14.20	28.40	32.00	B		
	87759-1814	87759-1864	87759-1874	-	18	--	17.90	16.00	18.20	14.20	28.40	32.00	B		
	87759-2014	87759-2064	87759-2074	-	20	--	19.90	18.00	20.20	14.20	28.40	32.00	B		
D	87759-2214	87759-2264	87759-2274	-	22	--	21.90	20.00	22.20	20.20	40.40	44.00	B		
	87759-2414	87759-2464	87759-2474	-	24	--	23.90	22.00	24.20	20.20	40.40	44.00	B		
	87759-2614	87759-2664	87759-2674	-	26	--	25.90	24.00	26.20	20.20	40.40	44.00	B		
	87759-2814	87759-2864	87759-2874	-	28	--	27.90	26.00	28.20	20.20	40.40	44.00	B		
	87759-3014	87759-3064	87759-3074	-	30	--	29.90	28.00	30.20	20.20	40.40	44.00	B		
	87759-3214	87759-3264	87759-3274	-	32	--	31.90	30.00	32.20	20.20	40.40	56.00	B		
	87759-3414	87759-3464	87759-3474	-	34	--	33.90	32.00	34.20	26.20	52.40	56.00	B		
	87759-3614	87759-3664	87759-3674	-	36	--	35.90	34.00	36.20	26.20	52.40	56.00	B		
C	-	-	-	87759-3679	36	--	35.90	34.00	36.20	26.20	52.40	56.00	B1	500	
	87759-3814	87759-3864	87759-3874	-	38	--	37.90	36.00	38.20	26.20	52.40	56.00	B		
	87759-4014	87759-4064	87759-4074	-	40	--	39.90	38.00	40.20	26.20	52.40	56.00	B		
	87759-4214	87759-4264	87759-4274	-	42	--	41.90	40.00	42.20	26.20	52.40	56.00	B		
	87759-4414	87759-4464	87759-4474	-	44	--	43.90	42.00	44.20	26.20	52.40	56.00	B		
	87759-4614	87759-4664	87759-4674	-	46	--	45.90	44.00	46.20	26.20	52.40	56.00	B		
B	87759-4814	87759-4864	87759-4874	-	48	--	47.90	46.00	48.20	26.20	52.40	56.00	B		
	87759-5014	87759-5064	87759-5074	-	50	--	49.90	48.00	50.20	34.20	68.40	72.00	B		

NOTES:
VOIDED PIN CKT#10 FOR PART#87759-1002



REVISE EMBOSSED TAPE
EC. NO. S2012-0908
DRAWN:SKMG 2012/06/04
CHKD:ATSEE 2012/09/18
APPR:MLONG 2012/09/19

QUALITY SYMBOLS
▽=0
▽=0

	GENERAL TOLERANCES (UNLESS SPECIFIED)	
	mm	INCH
4 PLACES	± ---	± ---
3 PLACES	± ---	± ---
2 PLACES	± 0.2	± ---
1 PLACE	± ---	± ---
ANGULAR ± 3°		

DRAFT WHERE APPLICABLE
MUST REMAIN WITHIN DIMENSIONS

DIMENSION STYLE		SCALE	DESIGN UNITS	THIRD ANGLE PROJECTION
MM ONLY		NTS	METRIC	
DRAWN BY	DATE	TITLE		
KSEE	2003/12/12	CUSTOM HEADER		
CHECKED BY	DATE	MGRID, 2MM DUAL ROW HDR.		
KCLING	2004/01/12	SMT		
APPROVED BY	DATE	MOLEX INCORPORATED		
SKTOH	2004/01/12			
MATERIAL NO.	SEE TABLE	DOCUMENT NO.	SD-87759-117	
SIZE		THIS DRAWING CONTAINS INFORMATION THAT IS PROPRIETARY TO MOLEX INCORPORATED AND SHOULD NOT BE USED WITHOUT WRITTEN PERMISSION		

SHEET NO.	7 OF 7
-----------	--------