

Excellent Integrated System Limited

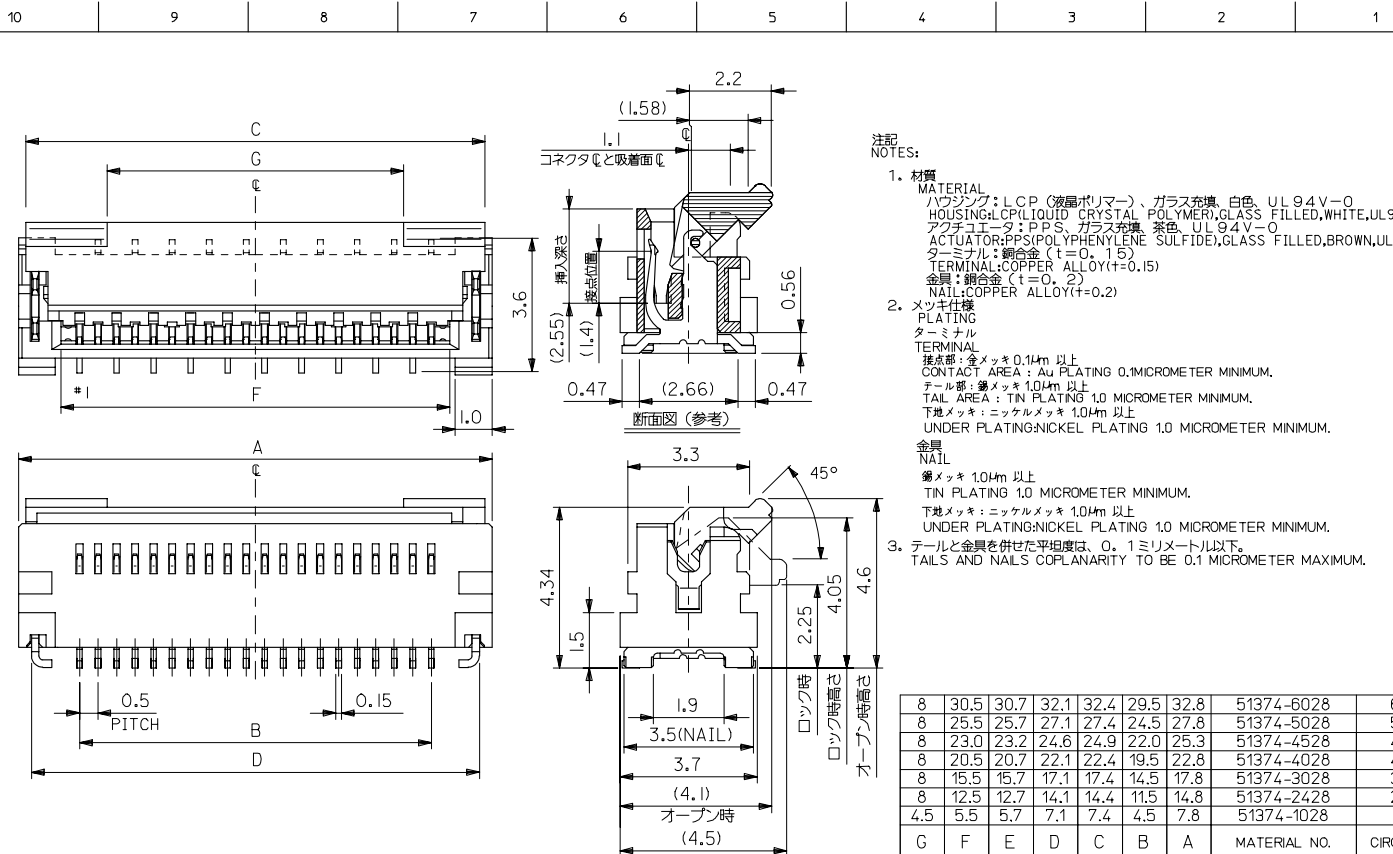
Stocking Distributor

Click to view price, real time Inventory, Delivery & Lifecycle Information:

[Molex Connector Corporation](#)
[0513741072](#)

For any questions, you can email us directly:

sales@integrated-circuit.com



注記:
NOTES:

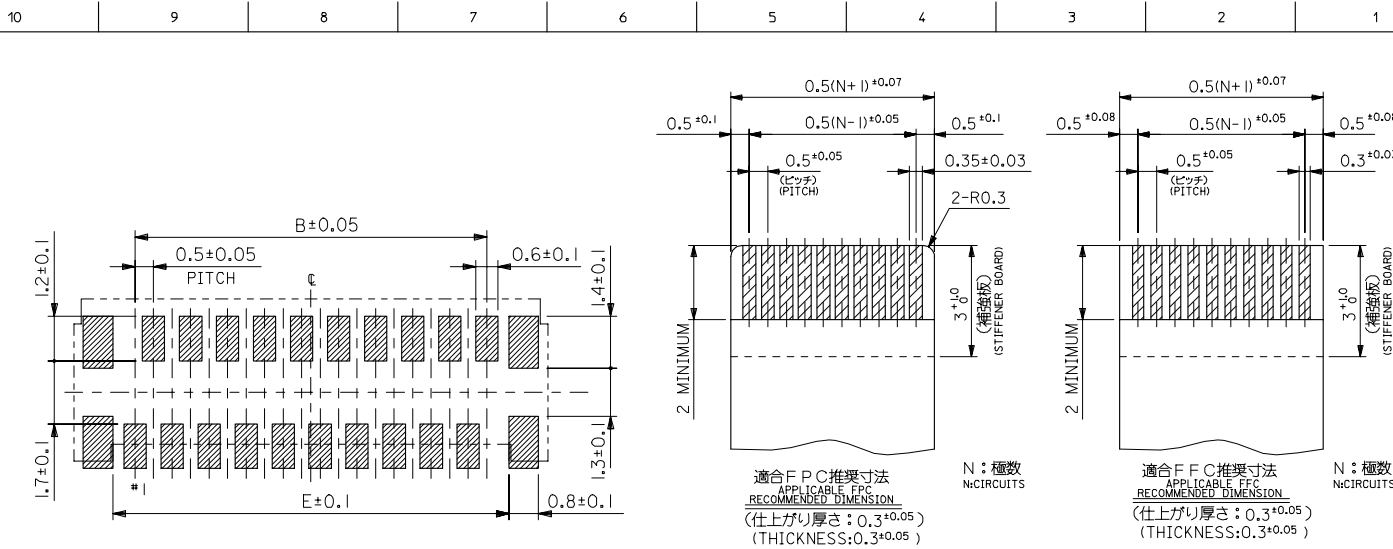
- 材質
MATERIAL
ハウジング: LCP (液晶ポリマー)、ガラス充填、白色、UL94V-0
HOUSING: LCP (LIQUID CRYSTAL POLYMER), GLASS FILLED, WHITE, UL94V-0
アクチュエータ: PPS、ガラス充填、茶色、UL94V-0
ACTUATOR: PPS (POLYPHENYLENE SULFIDE), GLASS FILLED, BROWN, UL94V-0
ターミナル: 銅合金 (t=0.15)
TERMINAL: COPPER ALLOY (t=0.15)
金具: 銅合金 (t=0.2)
NAIL: COPPER ALLOY (t=0.2)
- メッキ仕様
PLATING
ターミナル
TERMINAL
接点部: 金メッキ 0.14µm 以上
CONTACT AREA: Au PLATING 0.1 MICROMETER MINIMUM.
テール部: 金メッキ 10.0µm 以上
TAIL AREA: TIN PLATING 1.0 MICROMETER MINIMUM.
下地メッキ: ニッケルメッキ 1.0µm 以上
UNDER PLATING: NICKEL PLATING 1.0 MICROMETER MINIMUM.
金具
NAIL
金メッキ 10.0µm 以上
TIN PLATING 1.0 MICROMETER MINIMUM.
下地メッキ: ニッケルメッキ 1.0µm 以上
UNDER PLATING: NICKEL PLATING 1.0 MICROMETER MINIMUM.
- テールと金具を併せた平坦度は、0.1ミリアメートル以下。
TAILS AND NAILS COPLANARITY TO BE 0.1 MICROMETER MAXIMUM.

REVISED	DESCRIPTION	DATE	BY	CHECKED	DATE	BY	APPROVED	DATE	BY
REVISED	EC NO. J2006-2397	2006/01/27	M. NABEI						
	DRW: N. NAKADA	2006/01/31	K. TOYODA						
	CHK: K. TOYODA	2006/02/02	N. UKITA						
	APP: R. NIKITA								

GENERAL TOLERANCES (UNLESS SPECIFIED)		DIMENSION STYLE	SCALE	DESIGN UNITS	THIRD ANGLE PROJECTION
10 UNDER	±0.2	MM ONLY	10:1	METRIC	☉
10 OVER 30 UNDER	±0.25				
30 OVER	±0.3				
ANGULAR	±3°				
DRAFT WHERE APPLICABLE MUST REMAIN WITHIN DIMENSIONS					

MATERIAL NO.	DOCUMENT NO.	SHEET NO.
SEE CHART	SD-51374-026	1 OF 2

SIZE: THIS DRAWING CONTAINS INFORMATION THAT IS PROPRIETARY TO MOLEX INCORPORATED AND SHOULD NOT BE USED WITHOUT WRITTEN PERMISSION



参考基板レイアウト (マウント面)
P.C. BOARD PATTERN DIMENSION (REF.)
(MOUNT AREA)

適合FPC推奨寸法
APPLICABLE FPC
RECOMMENDED DIMENSION
(仕上がり厚さ: 0.3±0.05)
(THICKNESS: 0.3±0.05)

適合FFC推奨寸法
APPLICABLE FFC
RECOMMENDED DIMENSION
(仕上がり厚さ: 0.3±0.05)
(THICKNESS: 0.3±0.05)

FPC/FFCについて:

打抜き方向は導体側から補強板側を推奨いたします。
導体部については軟銅箔35マイクロメートルまたは50マイクロメートル

ABOUT FPC/FFC

RECOMMENDED PUNCHER DIRECTION : FROM CONDUCTOR SIDE TO STIFFENER FILM SIDE.
RECOMMENDED CONDUCTOR SPEC :
THICKNESS OF SOFT COPPER FOIL : 35 MICROMETER OR 50 MICROMETER

FPCについて:

補強フィルム材質はポリイミドを推奨します。
接着剤は熱硬化接着剤を推奨します。

ABOUT FPC

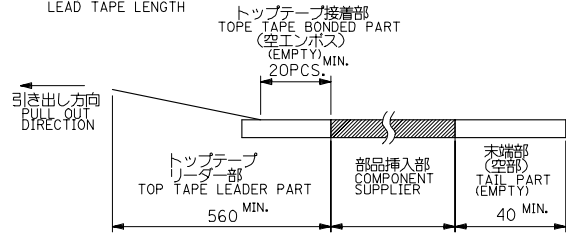
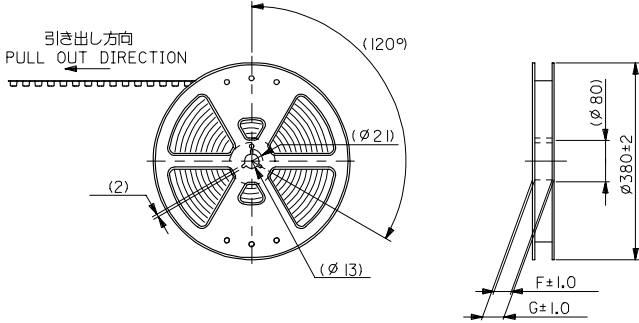
RECOMMENDED MATERIAL :
STIFFENER FILM : POLYIMIDE
BONDING AGENT : THERMOSETTING BONDING AGENT

REVISED EC NO. : J2006-2397 DRAWN BY : DRUMNADA CHKD BY : CHIKDKIYODA APPR. BY : APPERNIKITA	DESCRIPTION 2006/01/27 2006/01/31 2006/02/02	GENERAL TOLERANCES (UNLESS SPECIFIED)		DIMENSION STYLE MM ONLY		SCALE 10:1	DESIGN UNITS METRIC	THIRD ANGLE PROJECTION
		10 UNDER	±0.2	DRAWN BY M. NABEI	DATE '05/07/15	TITLE 0.5 FPC CONN. HS'G ASS'Y EASY ON / STRAIGHT -LEAD FREE-		
		10 OVER 30 UNDER	±0.25	CHECKED BY K. TOYODA	DATE '05/07/15			
		30 OVER	±0.3	APPROVED BY N. UKITA	DATE '05/07/15	MOLEX INCORPORATED		
ANGULAR ±3°		DRAFT WHERE APPLICABLE MUST REMAIN WITHIN DIMENSIONS		MATERIAL NO. SEE SHEET 1 OF 2	DOCUMENT NO. SD-51374-026	SHEET NO. 2 OF 2		
SIZE A3 THIS DRAWING CONTAINS INFORMATION THAT IS PROPRIETARY TO MOLEX INCORPORATED AND SHOULD NOT BE USED WITHOUT WRITTEN PERMISSION								

10 9 8 7 6 5 4 3 2 1

注)
NOTES

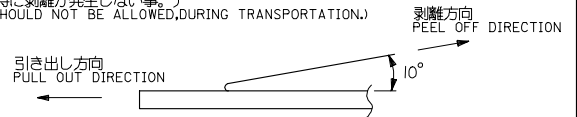
- 製品番号 51374-***28 詳細寸法については、製品単体図面を参照下さい。
IN THE PACKAGE PART NUMBER 51374-***28 DETAILED DIMENSIONS,
SEE SALES DRAWING FOR CONNECTOR.
- 梱包数量: 2000個/リール
NUMBER OF CONNECTORS: 2000 PCS/REEL.
- リードテープ長さ
LEAD TAPE LENGTH



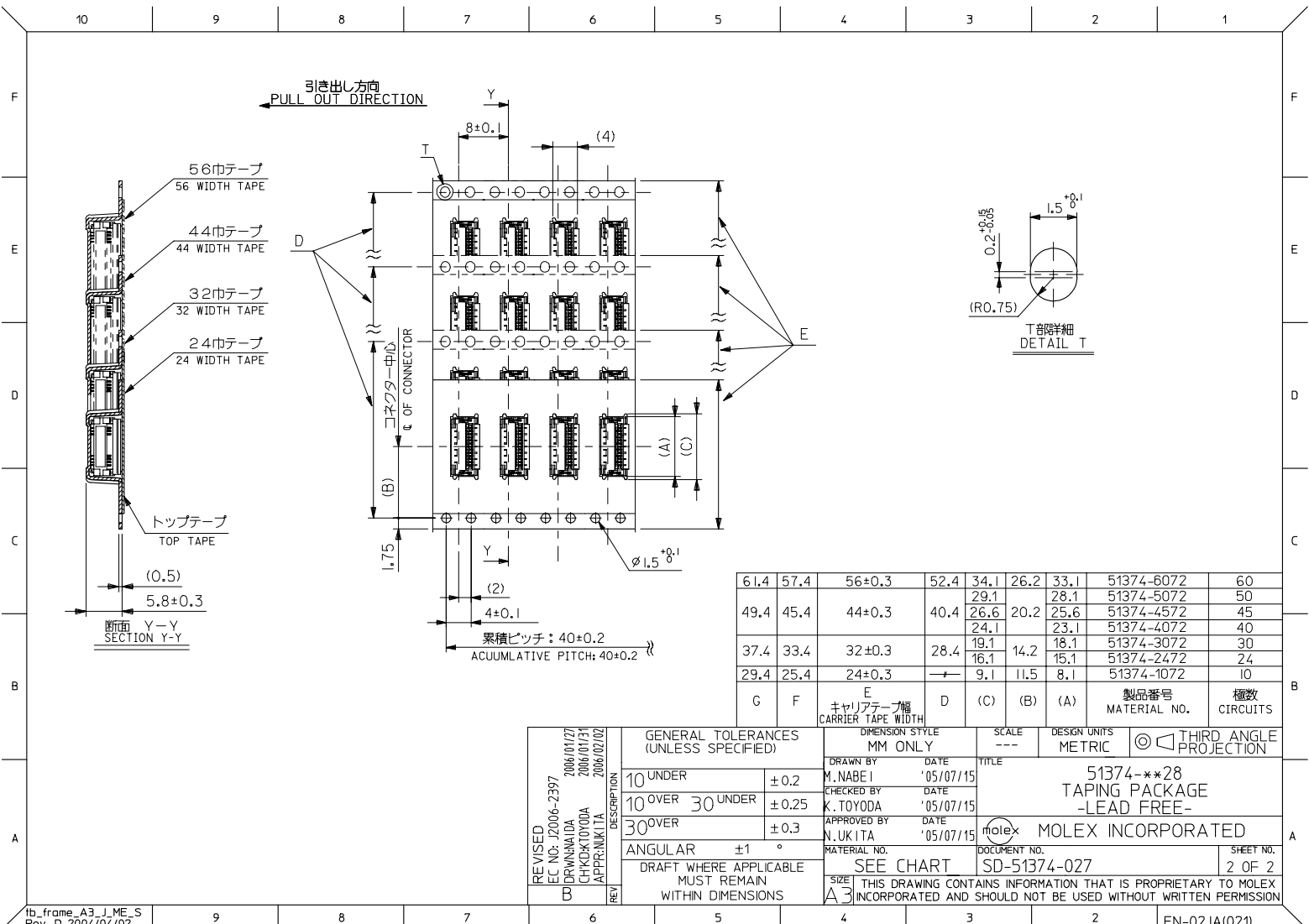
- トップテープの剥離強度: (剥離方向は下図参照)
PEELING OFF FORCE OF TOP TAPE (PEELLING DIRECTION AS SHOWN IN FOLLOWING FIGURE.)
0.1~1.3N(10~130gf)

尚、本規格値は、出荷時に適用。
THIS REQUIREMENT SHOULD BE APPLIED AT SHIPMENT.
(但し、輸送時に剥離が発生しない事。)
(PEEL OFF SHOULD NOT BE ALLOWED, DURING TRANSPORTATION.)

- 材料
MATERIAL
キャリアテープ: ポリプロピレン (PP)
CARRIER TAPE: POLYPROPYLENE (PP)
トップテープ: PET, PE, PEF
TOP TAPE: PET, PE, PEF
リール: ポリスチレン
REEL: POLYSTYRENE



REVISED		EC NO: J2006-2397	2006/01/27	GENERAL TOLERANCES (UNLESS SPECIFIED)		DIMENSION STYLE		SCALE	DESIGN UNITS	MODEL NO.	51374-***72
DRAWN		M. NABE I	DATE	10 UNDER ±0.2		MM ONLY		---	METRIC	THIRD ANGLE PROJECTION	
CHECKED		K. TOYODA	DATE	10 OVER 30 UNDER ±0.25		DRAWN BY		TITLE			
APPROVED		N. UKITA	DATE	30 OVER ±0.3		CHECKED BY		51374-***28 TAPING PACKAGE -LEAD FREE-			
DESCRIPTION		MATERIAL NO.		ANGULAR ±3 °		APPROVED BY		MOLEX INCORPORATED			
REV		DOCUMENT NO.		DRAFT WHERE APPLICABLE MUST REMAIN WITHIN DIMENSIONS		DATE		SEE SHEET 2 OF 2 SD-51374-027			
		SHEET NO.				DATE		THIS DRAWING CONTAINS INFORMATION THAT IS PROPRIETARY TO MOLEX INCORPORATED AND SHOULD NOT BE USED WITHOUT WRITTEN PERMISSION			
		1 OF 2				DATE					



61.4	57.4	56±0.3	52.4	34.1	26.2	33.1	51374-6072	60
				29.1		28.1	51374-5072	50
49.4	45.4	44±0.3	40.4	26.6	20.2	25.6	51374-4572	45
				24.1		23.1	51374-4072	40
37.4	33.4	32±0.3	28.4	19.1	14.2	18.1	51374-3072	30
				16.1		15.1	51374-2472	24
29.4	25.4	24±0.3		9.1	11.5	8.1	51374-1072	10
G	F	E キャリアテープ幅 CARRIER TAPE WIDTH	D	(C)	(B)	(A)	製品番号 MATERIAL NO.	極数 CIRCUITS

REVISED EC NO: J2006-2397 DRAWN: M. NABE I CHECKED: K. TOYODA APPROVED: N. UKITA DATE: 2006/01/27 DATE: 2006/01/31 DATE: 2006/02/02	GENERAL TOLERANCES (UNLESS SPECIFIED)		DIMENSION STYLE MM ONLY	SCALE ---	DESIGN UNITS METRIC	THIRD ANGLE PROJECTION
	10 UNDER	±0.2	DRAWN BY M. NABE I	DATE '05/07/15	TITLE 51374-***28 TAPING PACKAGE -LEAD FREE-	
	10 OVER 30 UNDER	±0.25	CHECKED BY K. TOYODA	DATE '05/07/15	MOLEX INCORPORATED	
	30 OVER	±0.3	APPROVED BY N. UKITA	DATE '05/07/15	MATERIAL NO. SEE CHART	DOCUMENT NO. SD-51374-027
	ANGULAR ±1 °		THIS DRAWING CONTAINS INFORMATION THAT IS PROPRIETARY TO MOLEX INCORPORATED AND SHOULD NOT BE USED WITHOUT WRITTEN PERMISSION			
	DRAFT WHERE APPLICABLE MUST REMAIN WITHIN DIMENSIONS					