

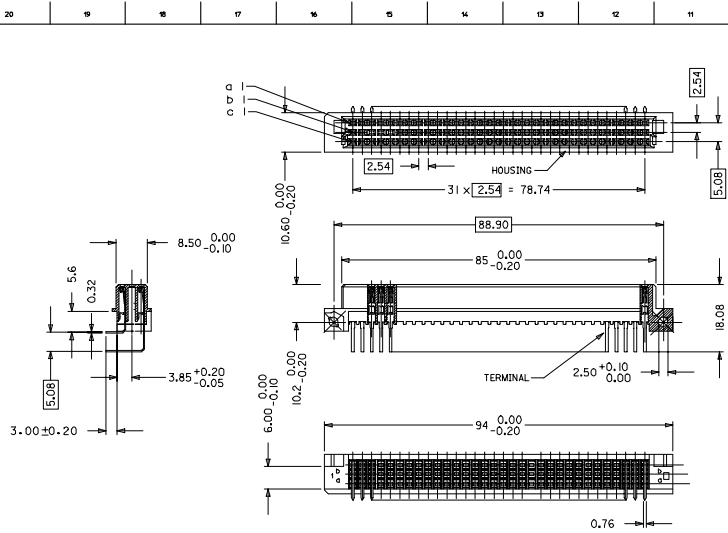
## Excellent Integrated System Limited

Stocking Distributor

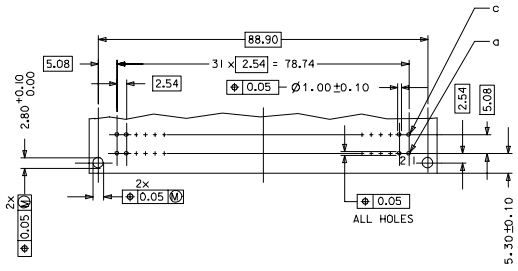
Click to view price, real time Inventory, Delivery & Lifecycle Information:

[Molex Connector Corporation](#)  
[0365150146](#)

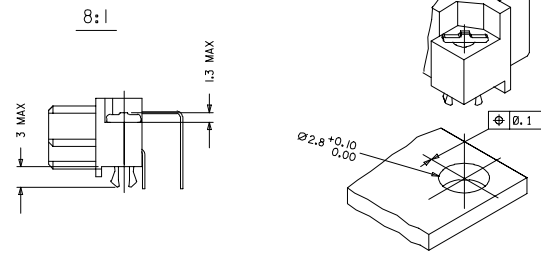
For any questions, you can email us directly:  
[sales@integrated-circuit.com](mailto:sales@integrated-circuit.com)



**RECOMMENDED PCB LAYOUT  
COMPONENT SIDE**



**WITH MOUNTING CLIPS**

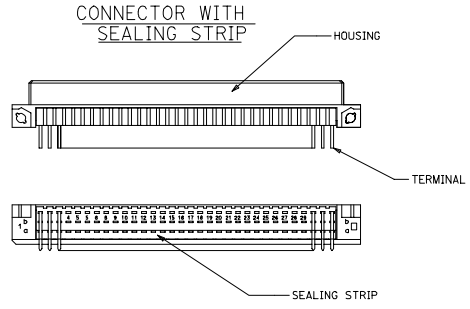


- NOTES:
- MATERIALS: THERMOPLASTIC POLYESTER, GLASS FILLED, UL94V-0, COLOUR: PEBBLE GREY RAL 7032  
TERMINAL - PHOSPHOR BRONZE  
MOUNTING CLIP: STEEL
  - FINISH: TERMINAL:-  
CONTACT AREA  
1. PERFORMANCE LEVEL 1: SELECTIVE GOLD (Au), THICKNESS = 1.1 MICROMETER OVER NICKEL, THICKNESS = 1.25 MICROMETER  
2. PERFORMANCE LEVEL 2: SELECTIVE GOLD (Au), THICKNESS = 0.6 MICROMETER OVER NICKEL, THICKNESS = 1.25 MICROMETER  
3. PERFORMANCE LEVEL 3: SELECTIVE GOLD (Au), THICKNESS = 0.3 MICROMETER OVER NICKEL, THICKNESS = 1.25 MICROMETER  
TERMINATION AREA: SELECTIVE TIN, THICKNESS = 2.5 MICROMETER OVER NICKEL, THICKNESS = 1.25 MICROMETER OVERALL
  - MOUNTING CLIP:-  
TIN (Sn), THICKNESS = 5-10 MICROMETER,  
OVER NICKEL (Ni), THICKNESS = 2.5 MICROMETER
  - FOR NON MOUNTING CLIP OPTION, CONNECTOR TO BE SECURED WITH RIVETS: 2 TUBULAR RIVETS 2.5 x 0.3 ... DIN 7340  
SCREWS: CHEESEHEAD SCREWS M2.5 x ... DIN 84 AND 2 HEXAGONAL NUTS M 2.5 DIN 934
  - MATERIAL No, BATCH CODE, UL AND CSA MARKING TO BE PRINTED ON CONNECTOR
  - CUT FACE OF TIP WITHOUT PLATING PERMITTED
  - PRODUCT SPECIFICATION : PS-36509-001

RoHS COMPLIANT

EC NO: 02007-0044 2006/10/16 DRWSATT/HRAD 2006/10/16 APPROVED BY 2006/10/16 DATE	QUALITY SYMBOLS	GENERAL TOLERANCES (UNLESS SPECIFIED)	DIMENSION STYLE	SCALE	DESIGN UNITS	THIRD ANGLE PROJECTION	SHEET NO. 1 OF 2
	▽=0 ▽=0	4 PLACES ± 0.15 3 PLACES ± 0.05 2 PLACES ± 0.1 1 PLACE ± 0.15 ANGULAR ± 2°	MM ONLY DRAWN BY: SS DATE: 1999/10/08 CHECKED BY: J.JLOWE DATE: 1999/10/08 APPROVED BY: J.JLOWE DATE: 1999/10/08	2:1	METRIC	ASSEMBLY, DIN41612 R FEMALE, 64 POS A+C LAODED	
	DRAFT WHERE APPLICABLE MUST REMAIN WITHIN DIMENSIONS	SEE CHART	MATERIAL NO: DOCUMENT NO: SD-36509-002	MOLEX INCORPORATED			
	THIS DRAWING CONTAINS INFORMATION THAT IS PROPRIETARY TO MOLEX INCORPORATED AND SHOULD NOT BE USED WITHOUT WRITTEN PERMISSION						

MATERIAL No	MOLEX ENG No	PERF LEVEL	PLATING	CONTACT SEQUENCE/ROW	MOUNTING CLIP	SEALING STRIP
36509-0025	MM-B2400-R963	1	Au+Ni	1,2,3,...32 a+c	NO	NO
36509-0026	MM-B2500-R963	2	Au+Ni	1,2,3,...32 a+c	NO	NO
36509-0027	MM-B2600-R963	3	Au+Ni	1,2,3,...32 a+c	NO	NO
36509-0031	MM-B2400-R913	1	Au+Ni	1,2,3,...32 a+c	YES	NO
36509-0032	MM-B2500-R913	2	Au+Ni	1,2,3,...32 a+c	YES	NO
36509-0033	MM-B2600-R913	3	Au+Ni	1,2,3,...32 a+c	YES	NO
36509-0037	MM-B2400-R963-101	1	Au+Ni	1,2,3,...32 a+c	NO	YES
36509-0038	MM-B2500-R963-101	2	Au+Ni	1,2,3,...32 a+c	NO	YES
36509-0039	MM-B2600-R963-101	3	Au+Ni	1,2,3,...32 a+c	NO	YES
36509-0043	MM-B2400-R913-101	1	Au+Ni	1,2,3,...32 a+c	YES	YES
36509-0044	MM-B2500-R913-101	2	Au+Ni	1,2,3,...32 a+c	YES	YES
36509-0045	MM-B2600-R913-101	3	Au+Ni	1,2,3,...32 a+c	YES	YES



RoHS COMPLIANT

EC NO: 02007-0044 DRAWN BY: D1 CHECKED BY: J.J.LOWE APPROVED BY: J.J.LOWE DATE: 1999/09/24	<b>QUALITY SYMBOLS</b> ▽=0 ▽=0	<b>GENERAL TOLERANCES (UNLESS SPECIFIED)</b> <table border="1"> <thead> <tr> <th></th> <th>mm</th> <th>INCH</th> </tr> </thead> <tbody> <tr> <td>4 PLACES</td> <td>± 0.15</td> <td>± 0.006</td> </tr> <tr> <td>3 PLACES</td> <td>± 0.05</td> <td>± 0.002</td> </tr> <tr> <td>2 PLACES</td> <td>± 0.1</td> <td>± 0.004</td> </tr> <tr> <td>1 PLACE</td> <td>± 0.15</td> <td>± 0.006</td> </tr> <tr> <td colspan="3">ANGULAR ± 2°</td> </tr> </tbody> </table>		mm	INCH	4 PLACES	± 0.15	± 0.006	3 PLACES	± 0.05	± 0.002	2 PLACES	± 0.1	± 0.004	1 PLACE	± 0.15	± 0.006	ANGULAR ± 2°			<b>DIMENSION STYLE</b> MM ONLY	<b>SCALE</b> 2:1	<b>DESIGN UNITS</b> METRIC	THIRD ANGLE PROJECTION
		mm	INCH																					
	4 PLACES	± 0.15	± 0.006																					
	3 PLACES	± 0.05	± 0.002																					
2 PLACES	± 0.1	± 0.004																						
1 PLACE	± 0.15	± 0.006																						
ANGULAR ± 2°																								
<b>DRAFT WHERE APPLICABLE MUST REMAIN WITHIN DIMENSIONS</b>		<b>SEE CHART</b>	<b>MATERIAL NO:</b> SD-36509-002	<b>DOCUMENT NO:</b> SD-36509-002	<b>MOLEX INCORPORATED</b>	<b>SHEET NO:</b> 2 OF 2																		
THIS DRAWING CONTAINS INFORMATION THAT IS PROPRIETARY TO MOLEX INCORPORATED AND SHOULD NOT BE USED WITHOUT WRITTEN PERMISSION																								