

Excellent Integrated System Limited

Stocking Distributor

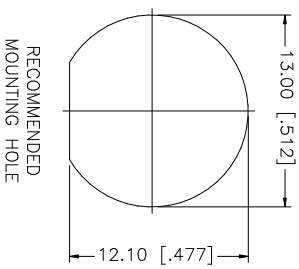
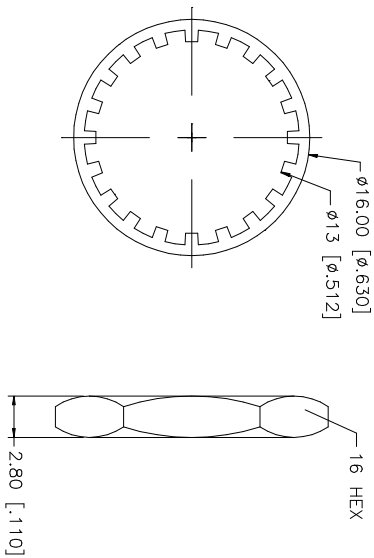
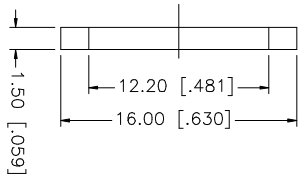
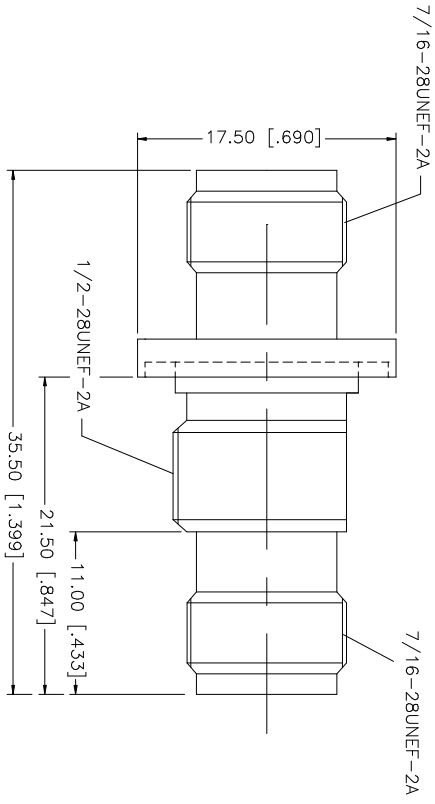
Click to view price, real time Inventory, Delivery & Lifecycle Information:

[Amphenol RF](#)
[122342](#)

For any questions, you can email us directly:

sales@integrated-circuit.com

REV.	DATE	DESCRIPTION
NC	06/20/03	INITIAL RELEASE



9																			
8																			
7	HEX NUT	BRASS	NICKEL	1															
6	LOCK WASHER	BRASS	NICKEL	1															
5	GASKET	RUBBER	RED	1															
4	CONTACT PIN	PHOS. BRONZE	COLD	1															
3	INSULATOR	DELFIN	NATURAL	1															
2	BODY	BRASS	NICKEL	1															
1	DESCRIPTION	MATERIAL	FINISH	QTY															
					UNLESS OTHERWISE SPECIFIED DIMENSIONS ARE IN INCHES AND FOR CUSTOMER REFERENCE ONLY.					UNLESS OTHERWISE SPECIFIED DIMENSIONS ARE IN MILLIMETERS AND FOR CUSTOMER REFERENCE ONLY.					UNLESS OTHERWISE SPECIFIED DIMENSIONS ARE IN MILLIMETERS AND FOR CUSTOMER REFERENCE ONLY.				
					TOLERANCES FOR MILLIMETERS ARE:					TOLERANCES FOR MILLIMETERS ARE:					TOLERANCES FOR MILLIMETERS ARE:				
					0.5 - 8mm ± 0.20mm					0.5 - 8mm ± 0.20mm					0.5 - 8mm ± 0.20mm				
					8 - 30mm ± 0.40mm					8 - 30mm ± 0.40mm					8 - 30mm ± 0.40mm				
					30 - 120mm ± 0.50mm					30 - 120mm ± 0.50mm					30 - 120mm ± 0.50mm				
					UNLESS OTHERWISE SPECIFIED DIMENSIONS FOR INCHES ARE:					UNLESS OTHERWISE SPECIFIED DIMENSIONS FOR INCHES ARE:					UNLESS OTHERWISE SPECIFIED DIMENSIONS FOR INCHES ARE:				
					.020 - .315 = ± 0.007"					.020 - .315 = ± 0.007"					.020 - .315 = ± 0.007"				
					.315 - 1.180 = ± 0.015"					.315 - 1.180 = ± 0.015"					.315 - 1.180 = ± 0.015"				
					1.180 - 4.724 = ± 0.020"					1.180 - 4.724 = ± 0.020"					1.180 - 4.724 = ± 0.020"				
					CAD FILE					CAD FILE					CAD FILE				
					C:/122/122342.DWG					C:/122/122342.DWG					C:/122/122342.DWG				
					DWG. NO.					DWG. NO.					DWG. NO.				
					122342.DWG					122342.DWG					122342.DWG				
					REV.					REV.					REV.				
					NC					NC					NC				
					SIZE					SIZE					SIZE				
					A					A					A				
					SCALE					SCALE					SCALE				
					NA					NA					NA				
					APPROVALS					APPROVALS					APPROVALS				
					DATE					DATE					DATE				
					06/20/03					06/20/03					06/20/03				
					DRAWN					DRAWN					DRAWN				
					G.R.S.					G.R.S.					G.R.S.				
					CHECKED					CHECKED					CHECKED				
					ISSUED					ISSUED					ISSUED				
					SHEET					SHEET					SHEET				
					1 OF 1					1 OF 1					1 OF 1				
					PART NO.					PART NO.					PART NO.				
					122342					122342					122342				
					PART DESCRIPTION					PART DESCRIPTION					PART DESCRIPTION				
					TNC FEMALE TO FEMALE BULKHEAD ADAPTOR					TNC FEMALE TO FEMALE BULKHEAD ADAPTOR					TNC FEMALE TO FEMALE BULKHEAD ADAPTOR				
					Amphenol Connex					Amphenol Connex					Amphenol Connex				