

Excellent Integrated System Limited

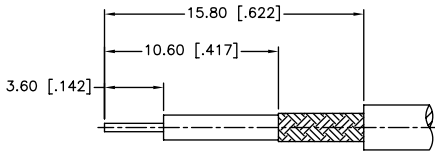
Stocking Distributor

Click to view price, real time Inventory, Delivery & Lifecycle Information:

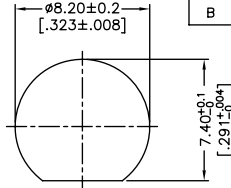
[Amphenol RF](#)
[142111](#)

For any questions, you can email us directly:
sales@integrated-circuit.com

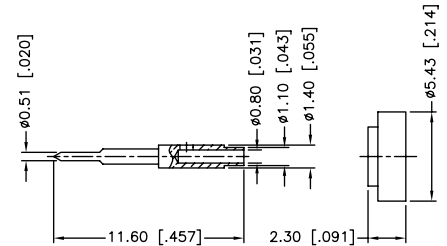
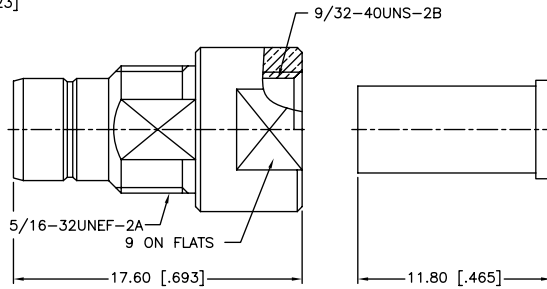
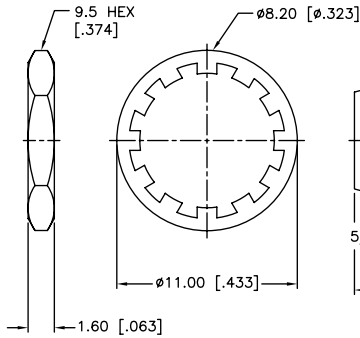
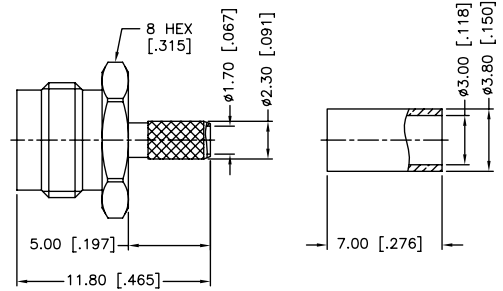
| REV. | DATE | ECR NO. | DESCRIPTION |
|------|----------|---------|------------------------|
| NC | 04/05/00 | XXXXXX | INITIAL RELEASE |
| A | 06/14/00 | XXXXXX | CHANGE PLATING TO GOLD |
| B | 11/07/12 | 2404 | UPDATE DRAWING FORMAT |



RECOMMENDED
CABLE STRIPPING DIM'S



RECOMMENDED
MOUNTING HOLE



1. IMPEDANCE: 75 OHM
2. FREQUENCY RANGE: DC 0-4 GHz
3. VSWR(RETURN LOSS): 1.3, MAX.
4. INSERTION LOSS: 0.3 dB, MAX.
5. DIELECTRIC WITHSTANDING VOLTAGE: 900 VRMS, MIN.
6. DURABILITY: 500 CYCLES MIN.
7. TEMPERATURE RANGE: -55°C TO +165°C
8. CRIMPED FERRULE
HEX CRIMP SIZE .128"
9. CONTACT PIN TO SOLDER
10. MAX. PANEL THICKNESS=2.4mm

| DESCRIPTION | MATERIAL | FINISH | QTY |
|---------------|----------|---------|-----|
| 8 HEX NUT | BRASS | GOLD | 1 |
| 7 LOCK WASHER | BRASS | GOLD | 1 |
| 6 FERRULE | COPPER | GOLD | 1 |
| 5 BARREL | BRASS | GOLD | 1 |
| 4 INSULATOR | PTFE | NATURAL | 1 |
| 3 CONTACT PIN | BRASS | GOLD | 1 |
| 2 INSULATOR | PTFE | NATURAL | 1 |
| 1 BODY | BRASS | GOLD | 1 |

UNLESS OTHERWISE SPECIFIED DIMENSIONS ARE IN MILLIMETERS. DIMENSIONS IN [] ARE IN INCHES AND FOR CUSTOMER REFERENCE ONLY.

UNLESS OTHERWISE SPECIFIED TOLERANCES FOR MILLIMETERS ARE:
0.5 - 8mm ± 0.20mm
8 - 30mm ± 0.40mm
30 - 120mm ± 0.50mm

UNLESS OTHERWISE SPECIFIED TOLERANCES FOR INCHES ARE:
.020 - .315 = ± 0.007"
.315 - 1.180 = ± 0.015"
1.180 - 4.724 = ± 0.020"

DO NOT SCALE DRAWING

| APPROVALS | DATE |
|-------------------------------|----------|
| DRAWN M.ZHANG | 11/07/12 |
| CHECKED | |
| ISSUED | |
| SHEET 1 OF 1 | |
| CAD FILE C:/CONNEX/142111.DWG | |

| PART DESCRIPTION | | | |
|---|------------|--------|----|
| Amphenol Connex | | | |
| SMZ BULKHEAD CRIMP JACK (FOR RG-179/U, 187A/U CABLE) | | | |
| PART NO. | | 142111 | |
| DWG. NO. | 142111.DWG | REV. | B |
| SIZE | A | SCALE | NA |