

## Excellent Integrated System Limited

Stocking Distributor

Click to view price, real time Inventory, Delivery & Lifecycle Information:

[Phoenix Contact](#)  
[1834343](#)

For any questions, you can email us directly:

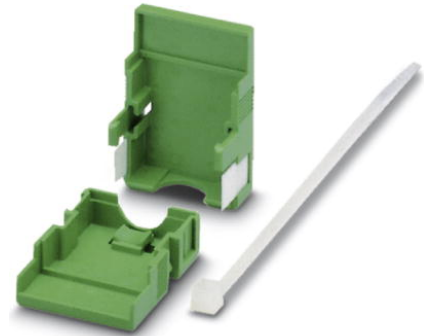
[sales@integrated-circuit.com](mailto:sales@integrated-circuit.com)



Extract from the online catalog


## KGG-MC 1,5/ 2

Order No.: 1834343



<http://eshop.phoenixcontact.de/phoenix/treeViewClick.do?UID=1834343>

Cable housing, Pitch: 0 mm, Number of positions: 2, Dimension a: 10.01 mm, Color: green

Commercial data	
GTIN (EAN)	 4 017918 051860
sales group	E191
Pack	10 pcs.
Customs tariff	85472000
Catalog page information	Page 190 (CC-2009)

### Product notes

WEEE/RoHS-compliant since:  
01/01/2003



<http://www.download.phoenixcontact.com>  
Please note that the data given here has been taken from the online catalog. For comprehensive information and data, please refer to the user documentation. The General Terms and Conditions of Use apply to Internet downloads.

### Accessories

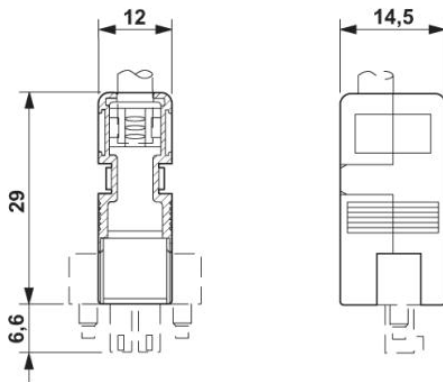
Item	Designation	Description
<b>Marking</b>		
1007248	SBS10:UNBEDRUCKT	Marker cards, unprinted, for individual labeling with the M-PEN, 250-section, perforated, white plastic

KGG-MC 1,5/ 2 Order No.: 1834343

<http://eshop.phoenixcontact.de/phoenix/treeViewClick.do?UID=1834343>

## Diagrams/Drawings

Dimensioned drawing



KGG-MC 1,5/ 2 Order No.: 1834343

<http://eshop.phoenixcontact.de/phoenix/treeViewClick.do?UID=1834343>

---

**Address**

PHOENIX CONTACT Inc., USA  
586 Fulling Mill Road  
Middletown, PA 17057, USA  
Phone (800) 888-7388  
Fax (717) 944-1625  
<http://www.phoenixcon.com>



© 2011 Phoenix Contact  
Technical modifications reserved;