



Distributor of Pulse Electronics Corporation: Excellent Integrated System Limited
Datasheet of E810K-SB0G14-L - Connector Receptacle HDMI 19 Position Through Hole, Right Angle, Horizontal

Contact us: sales@integrated-circuit.com Website: www.integrated-circuit.com

Excellent Integrated System Limited

Stocking Distributor

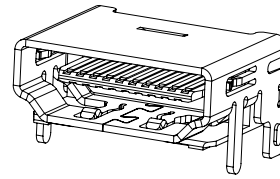
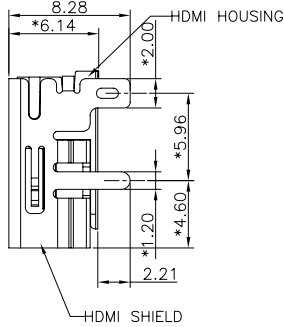
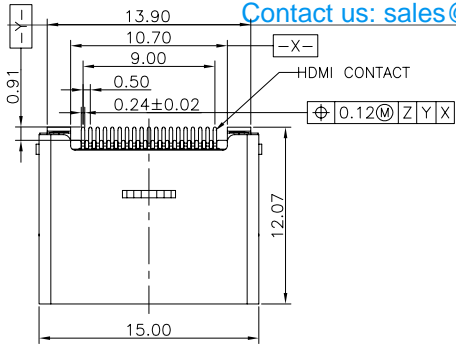
Click to view price, real time Inventory, Delivery & Lifecycle Information:

[Pulse Electronics Corporation](#)
[E810K-SB0G14-L](#)

For any questions, you can email us directly:

sales@integrated-circuit.com

Contact us: sales@integrated-circuit.com Website: www.integrated-circuit.com



NOTES:

ELECTRICAL

1. VOLTAGE RATING : 30 VDC RMS
2. CURRENT RATING : 0.5AMP MAX PER CONTACT
3. CONTACT RESISTANCE : 30 MILLIOHMS MAX.
4. INSULATION RESISTANCE : 1000 MEGOHMS MIN
5. WITHSTANDING VOLTAGE : 500 VAC RMS 60Hz , 1MIN
6. OPERATING LIFE : 10000 CYCLES MIN @ 500 VCD

MECHANICAL :

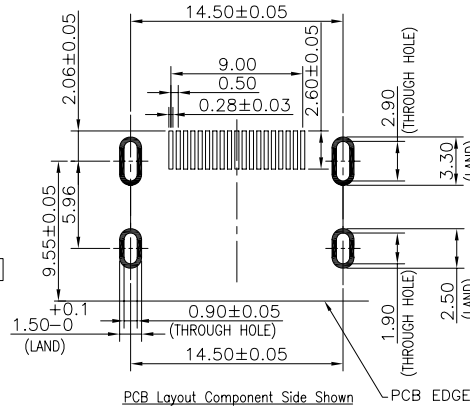
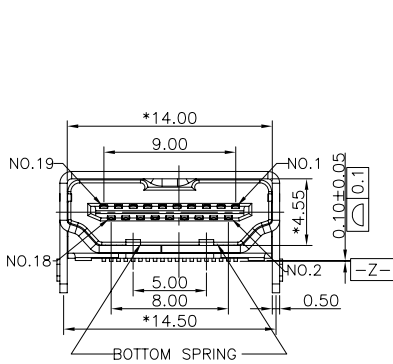
1. HOUSING MATERIAL : NYLON+30%G.F UL94V-0.COLOR:BLACK.
2. CONTACT MATERIAL : PHOSPHOR BRONZE 0.20mm THICKNESS
3. PLATING : 1: CONTACT AREA - SELECTIVE GOLD PLATING
2: TAILS- 120U" MIN OVER NICKEL.
4. SHIELD MATERIAL : PHOSPHOR BRONZE 0.50mm THICKNESS
5. PLATING : PLATED NICKEL.

ENVIRONMENTAL:

1. STORAGE : -40°C TO +85°C
2. OPERATION : -40°C TO +85°C
3. IR REFLOW PEAK SOLDERING TEMPERATURE: 255°C TO 265°C (5-10 SECONDS).
4. RoHS COMPLIANT.
5. FRE OLD DRAWING NUMBER:GE813024-LA.

TABLE

RoHS PART NUMBER:	REV	HS'G MATERIAL	COLOR	UTP/STP TYPE	PIN NUMBER	PLATING Au
E810K-SB0G13-L	A	NYLON+GF30%	BLACK	STP/DIP FEET TYPE	19 PINS	150"
E810K-SB0G14-L	A	NYLON+GF30%	BLACK	STP/DIP FEET TYPE	19 PINS	300"



The drawing Can Only Supply To Customer

<p>MM (INCH)</p> <p>TOOLERANCES EXCEPT AS NOTED</p> <p>MM ± 0.2</p> <p>.00 ± 0.15</p> <p>.000 ± 0.075</p> <p>ANGLES ± 0.5</p> <p>THIRD ANGLE PROJECTION</p>	<p>RoHS Compliant</p>			
	<p>TITLE</p> <p>HDMI CONNECTOR WITHOUT PANEL A TYPE</p>			
<p>DFTO Yumei</p> <p>DATE 02/14/2007</p>	<p>DRAWING NO. CE810K-SB0G1X-L</p> <p>/PART NO. E810K-SB0G1X-L</p>	<p>SCALE : 2.5:1</p>	<p>SIZE A3</p> <p>REV 0</p>	<p>SHEET 1 OF 1</p>