

Excellent Integrated System Limited

Stocking Distributor

Click to view price, real time Inventory, Delivery & Lifecycle Information:

[FCI](#)
[7334L2622F01LF](#)

For any questions, you can email us directly:

sales@integrated-circuit.com

7334L2622F01LF

Catalogue Part Number Key

Lead Free Version (Optional)

Durability
 0: 2500 Mating Cycles
 2: 10000 Mating Cycles
 5: 100000 Mating Cycles

Number of contacts :
 2: 8 contacts ISO
 3: 16 contacts ISO + AFNOR

GENERAL:

This L26 connector uses a "sliding" contact technology suitable for most applications. It has been designed for easy mounting on the PCB.

ELECTRICAL PROPERTIES:

Insulation resistance : 5000 MΩ min
 Dielectric withstanding : 750 Vrms min
 Current carrying capacity : 10µA min, 1A max
 Contact resistance : 100mΩ max
 Card sensor type : Normally closed

SWITCH:

Contact Closed Resistance : 100mΩ max
 Open Contact Voltage Proof : 250 Vrms min.

MECHANICAL PROPERTIES:

Contact Normal force : 0.6 N max (EMV Standard)
 Insertion force : 10 N max
 Extraction force : 1 N min

MATERIAL:

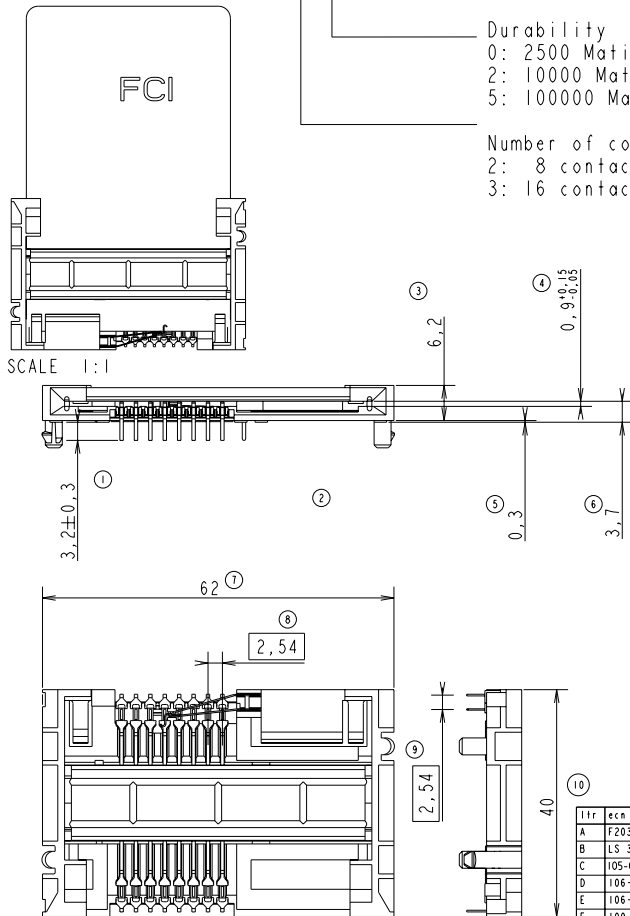
Housing : Thermoplastic, Colour Black, Rated UL94V0
 Contacts and switch : Copper Alloy
 Plating : Gold over Nickel on contact area
 Matte Tin over Nickel on solder tails
 Bare edge allowed

ENVIRONMENT:

Operating temperature: -20°C / +70°C
 Storage temperature: -40°C / +85°C
 Printed Circuit Board thickness : 1.6mm

REFERENCE DOCUMENTS:

Product specification VGN 11596
 Packaging Specification VGN 11619



LEAD FREE VERSION:

"This product meets European Union Directives and other country regulations as described in GS-22-008"

The housing will withstand exposure to 260°C peak temperature for 10seconds in a wave solder application with a 1.6mm minimum thick circuit board. Use protective adhesive tape (Kapton or Teflon) or protective metallic devices on the areas which are directly exposed to wave soldering as it is used in classical leaded wave soldering

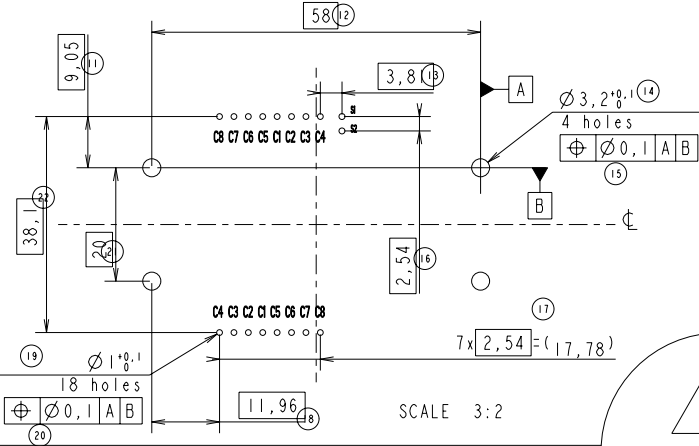
General Tolerances: ± 0.2 mm

www.fciconnect.com		surface	tolerance std	projection	mm
		ISO 1302	ISO 406 ISO 1101		
		TOLERANCES UNLESS OTHERWISE SPECIFIED			
Dr	N. TWINCY	2002/04/30	ANGULAR	LINEAR	size A3 Scale 3:2
Eng	F. TISSERAND	2002/04/30	0.x	±	ECN 109-0057
Chr	RAMESH. P. K	2009/04/15	0.xx	±	SEE NOTES
Appr	S. S. CHERIAN	2009/04/15	0.xxx	±	
		Product family	SMART CARDS	Spec ref	
		title	L26 TYPE F01	dwg no	VJW_54701
		catalog no	SEE TABLE		sheet 1 of 2

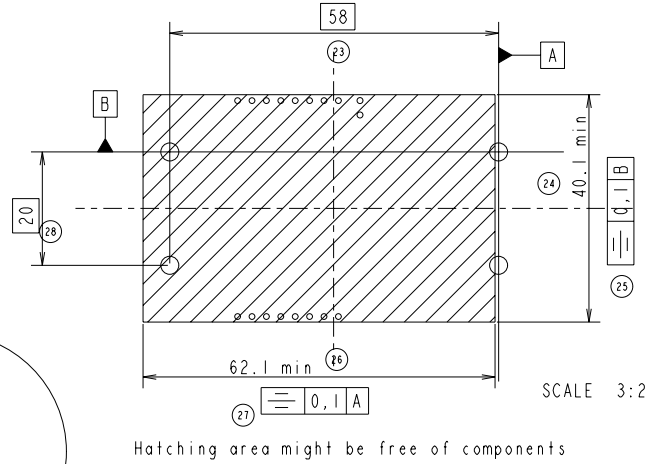
lir	ecm no	dr	date
A	F20307	DLE	2002/04/30
B	LS 3053	JTA	2003/05/13
C	105-0071	DTK	2005/06/25
D	106-0084	SSC	2006/06/21
E	106-0183	SSC	2006/10/05
F	109-0002	SSC	2009/01/02
G	109-0057	SSC	2009/04/15

RECOMMENDED PCB LAYOUT

CONTACT CONFIGURATION : ISO & AFNOR
(CONNECTOR SIDE)

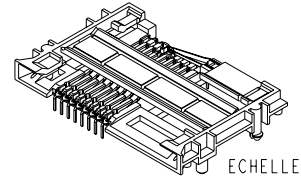
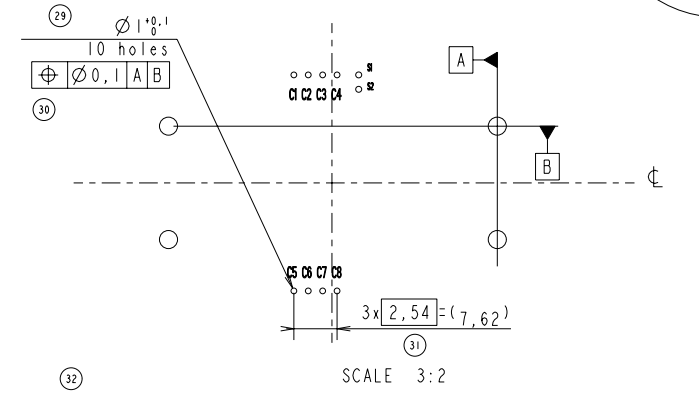


STANDARD LAYOUT FOR 'KEEP OUT ZONE' (Connector Side)



RECOMMENDED PCB LAYOUT

CONTACT CONFIGURATION : ISO
(CONNECTOR SIDE)



EUROPEAN PROJECTION

www.fciconnect.com		surface ISO 1302	tolerance std ISO 406 ISO 1101	projection mm
		TOLERANCES UNLESS OTHERWISE SPECIFIED		
Dr	N. TWINCY 2002/04/30	ANGULAR	0.X ±	size A3 Scale 3:2
Eng	F. TISSERAND 2002/04/30	LINEAR	0.XX ±	ECN 109-0057
Chr	RAMESH. P. K 2009/04/15	0° ±°	0.XXX ±	SEE NOTES
Appr	S. S. CHERIAN 2009/04/15	Product family	SMART CARDS	Spec ref
Title L26 TYPE F01		Dwg no VJW_54701		Rev. G
catalog no		SEE TABLE	-	sheet 2 of 2