



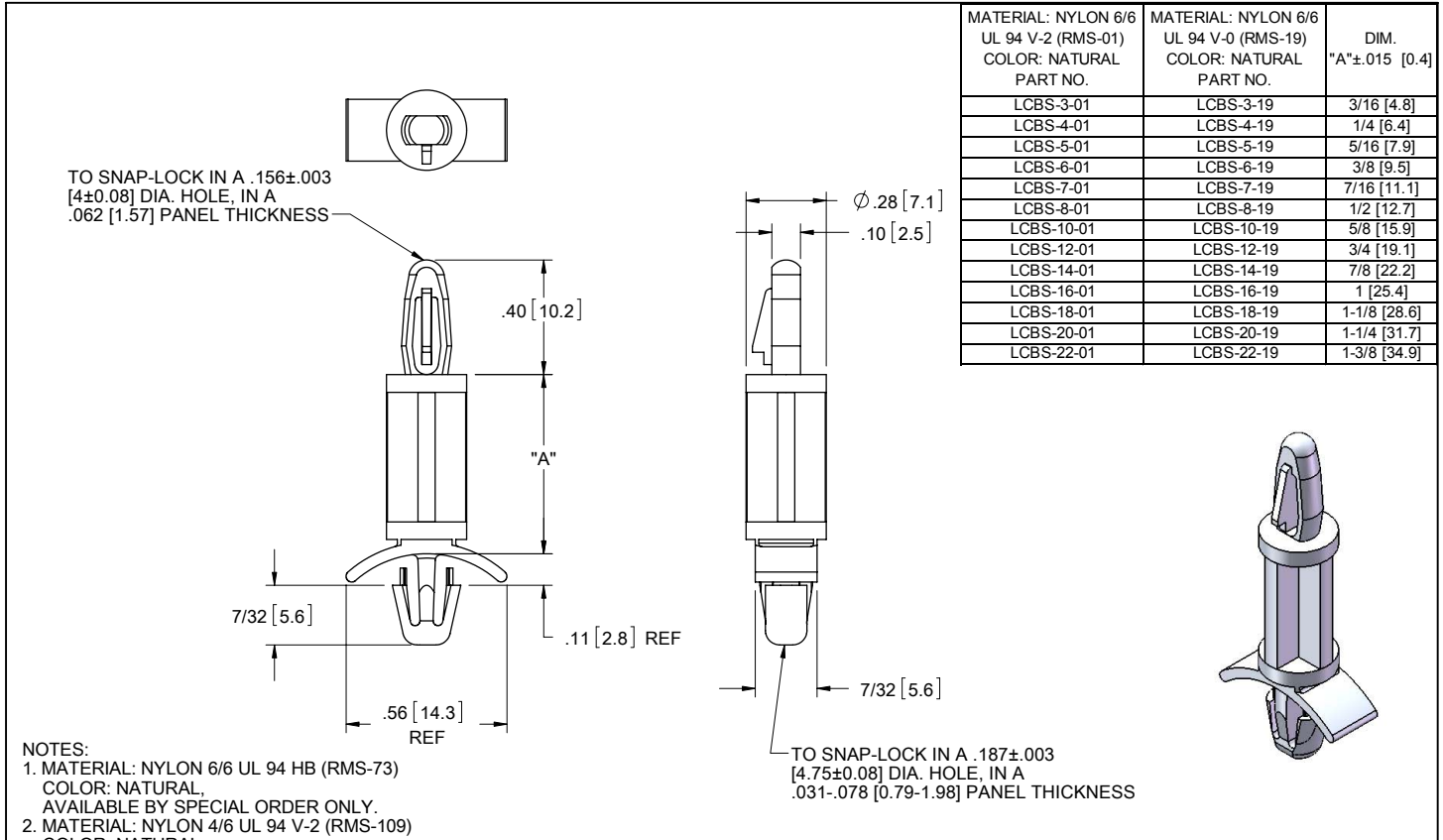
## Excellent Integrated System Limited

Stocking Distributor

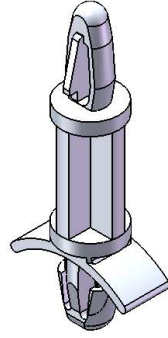
Click to view price, real time Inventory, Delivery & Lifecycle Information:

[Essentra Components \(formerly Richco, Inc.\)](#)  
[LCBS-8-01](#)

For any questions, you can email us directly:  
[sales@integrated-circuit.com](mailto:sales@integrated-circuit.com)



MATERIAL: NYLON 6/6 UL 94 V-2 (RMS-01) COLOR: NATURAL PART NO.	MATERIAL: NYLON 6/6 UL 94 V-0 (RMS-19) COLOR: NATURAL PART NO.	DIM. "A"±.015 [0.4]
LCBS-3-01	LCBS-3-19	3/16 [4.8]
LCBS-4-01	LCBS-4-19	1/4 [6.4]
LCBS-5-01	LCBS-5-19	5/16 [7.9]
LCBS-6-01	LCBS-6-19	3/8 [9.5]
LCBS-7-01	LCBS-7-19	7/16 [11.1]
LCBS-8-01	LCBS-8-19	1/2 [12.7]
LCBS-10-01	LCBS-10-19	5/8 [15.9]
LCBS-12-01	LCBS-12-19	3/4 [19.1]
LCBS-14-01	LCBS-14-19	7/8 [22.2]
LCBS-16-01	LCBS-16-19	1 [25.4]
LCBS-18-01	LCBS-18-19	1-1/8 [28.6]
LCBS-20-01	LCBS-20-19	1-1/4 [31.7]
LCBS-22-01	LCBS-22-19	1-3/8 [34.9]



- NOTES:  
 1. MATERIAL: NYLON 6/6 UL 94 HB (RMS-73)  
 COLOR: NATURAL,  
 AVAILABLE BY SPECIAL ORDER ONLY.  
 2. MATERIAL: NYLON 4/6 UL 94 V-2 (RMS-109)  
 COLOR: NATURAL,  
 AVAILABLE BY SPECIAL ORDER ONLY.  
 3. ALTERNATE UNITS FOR REFERENCE ONLY.

TITLE: <b>LOCKING CIRCUIT BOARD SUPPORT</b>					
CREATED USING SOLIDWORKS	FILE #: LCBS	DWN: SK	APP: RT	FINAL	
TOLERANCES UNLESS NOTED XX±.010 XXX±.005 FRAC±.1/64 ANG±1°	SHEET: 1 OF 1	SHEET SIZE: A	DT: 11/29/06	CHKD: SJ	PART #
RE: RICHCO, INC.	RICHCO, INC. ENG@RICHCO-INC.COM (773) 539-4060		SEE TABLE		PRINT TYPE <b>CA</b>

REV.	DESCRIPTION	ENGR.	DATE
F	REDRAWN, SEE ECN #1208 FOR CHANGES	SK	11/29/06
-	SEE ENGINEERING FOR REVISIONS A-E		