

Excellent Integrated System Limited

Stocking Distributor

Click to view price, real time Inventory, Delivery & Lifecycle Information:

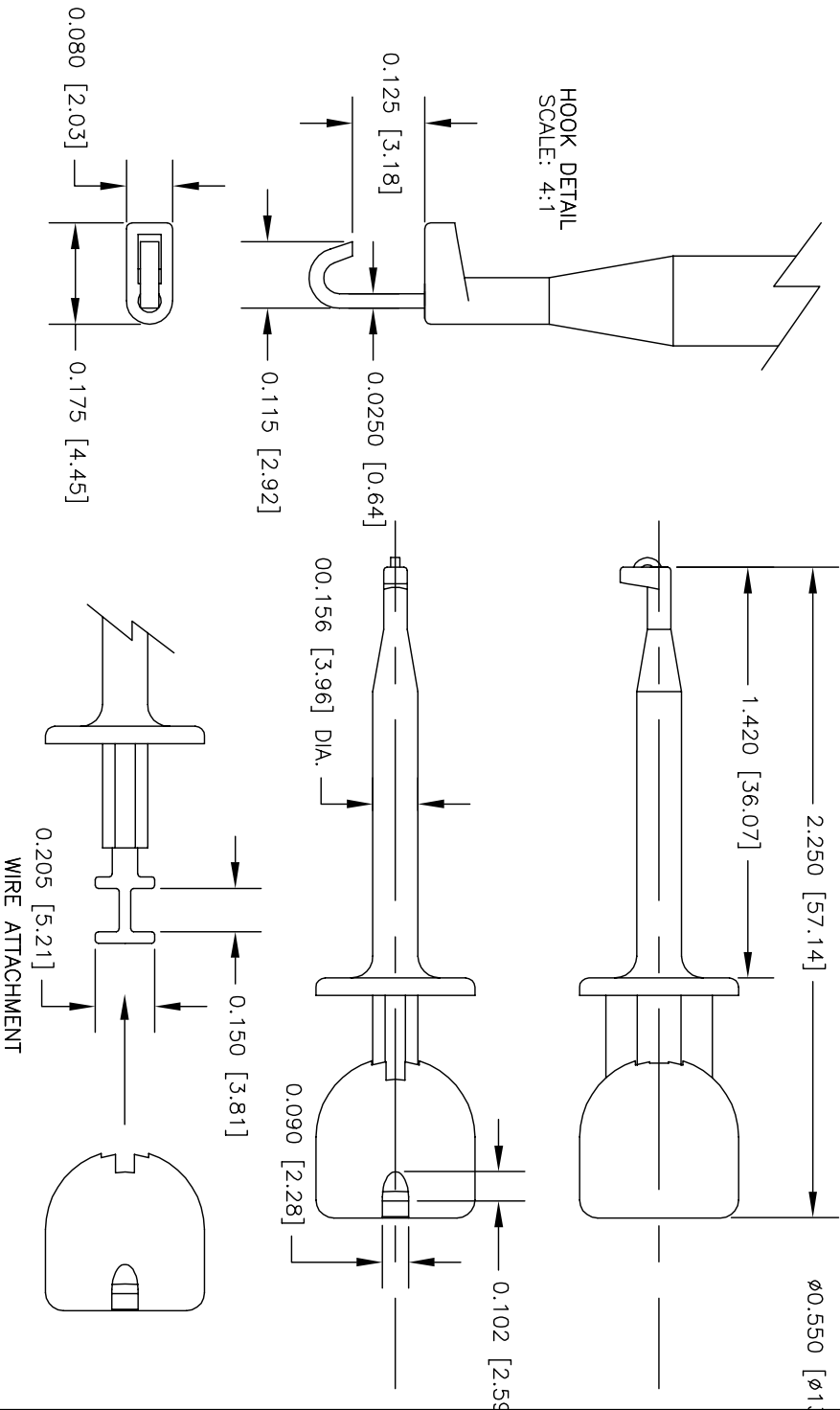
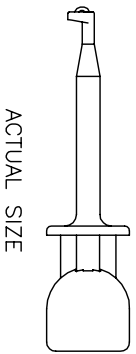
[E-Z-Hook](#)
[XRBLK](#)

For any questions, you can email us directly:

sales@integrated-circuit.com

NOTES: UNLESS OTHERWISE SPECIFIED

1. CONSTRUCTION: HOUSING & PLUNGER: MOLDED NYLON TYPE 6.6, AVAILABLE IN TEN COLORS. CONTACT BLADE: BERYLLIUM COPPER PER QQ-C-533, GOLD PLATED PER MIL-G-45204 B TYPE 1 .00001" THICK MINIMUM SPRING: STAINLESS STEEL TYPE 302
2. PERFORMANCE: MAXIMUM CURRENT: 5.9 AMPS WITH A 77° TEMPERATURE RISE. MAXIMUM VOLTAGE: 5.4 KV MAXIMUM TEMPERATURE: 200°F (93°C)
3. FEATURES: HOOK FITS COMPONENTS UP TO Ø0.059" [1.50]. FIELD SERVICEABLE.



UNLESS OTHERWISE SPECIFIED DIMENSIONS ARE IN INCHES FRACTIONS' DECIMALS ANGLES ° .XX ± .XXX ±		CONTRACT NO.	
MATERIAL SEE NOTE.		APPROVALS	DATE
FINISH SEE NOTE.		R.L.	6/09
NEXT ASSY USED ON		APPROVED BY	
APPLICATION DO NOT SCALE DRAWING		DESCRIPTION	
		E-Z-HOOK MINI-TEST CONN	
		SIZE	CODE IDENT NO. DRAWING NO.
		B	08505 XR
		SCALE	2:1

LTR DESCRIPTION REVISIONS