

Excellent Integrated System Limited

Stocking Distributor

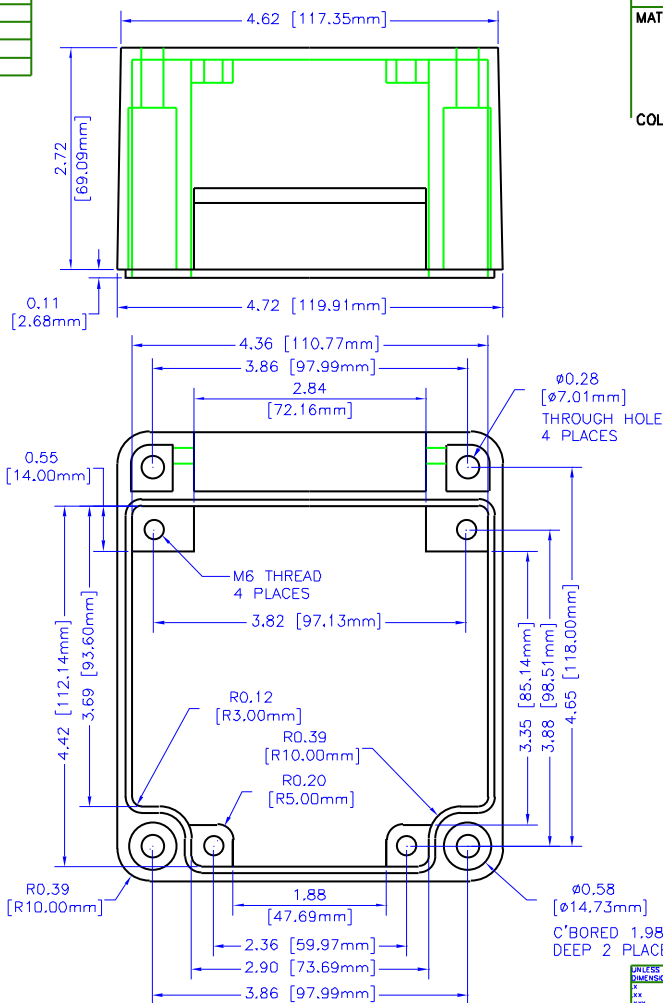
Click to view price, real time Inventory, Delivery & Lifecycle Information:

[Hammond Manufacturing](#)
[R130-120-000](#)

For any questions, you can email us directly:

sales@integrated-circuit.com

REV	DESCRIPTION	DATE

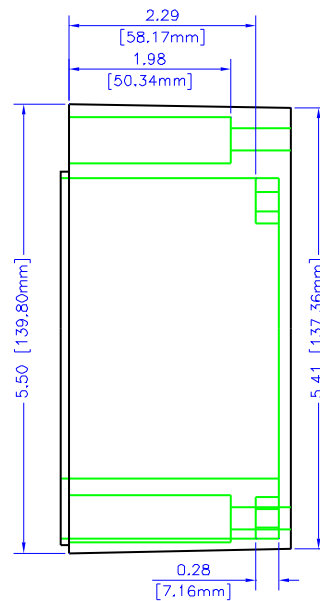


BOX VIEW

NOTES

MATERIAL TWO PIECE MOLDED FIBERGLASS REINFORCED POLYESTER CONSTRUCTION, COMES WITH HINGED COVER WINDOW, RECESSED NEOPRENE GASKET WITH TONGUE AND GROVE CONSTRUCTION, THREADED STAINLESS STEEL INSERTS PROVIDED FOR INTERNAL MOUNTING.

COLORS LIGHT GRAY (RAL 7032)



UNLESS OTHERWISE SPECIFIED
DIMENSIONS ARE IN INCHES

F ±.0001"
X.X ±.001"
X.XX ±.0005"
X.XXX ±.0001"
X.XXX ±.0005"

UNLESS OTHERWISE SPECIFIED
DIMENSIONS ARE IN MILLIMETERS

F ±.0025mm
X.X ±.0508mm
X.XX ±.0127mm
X.XXX ±.0025mm
X.XXX ±.0127mm

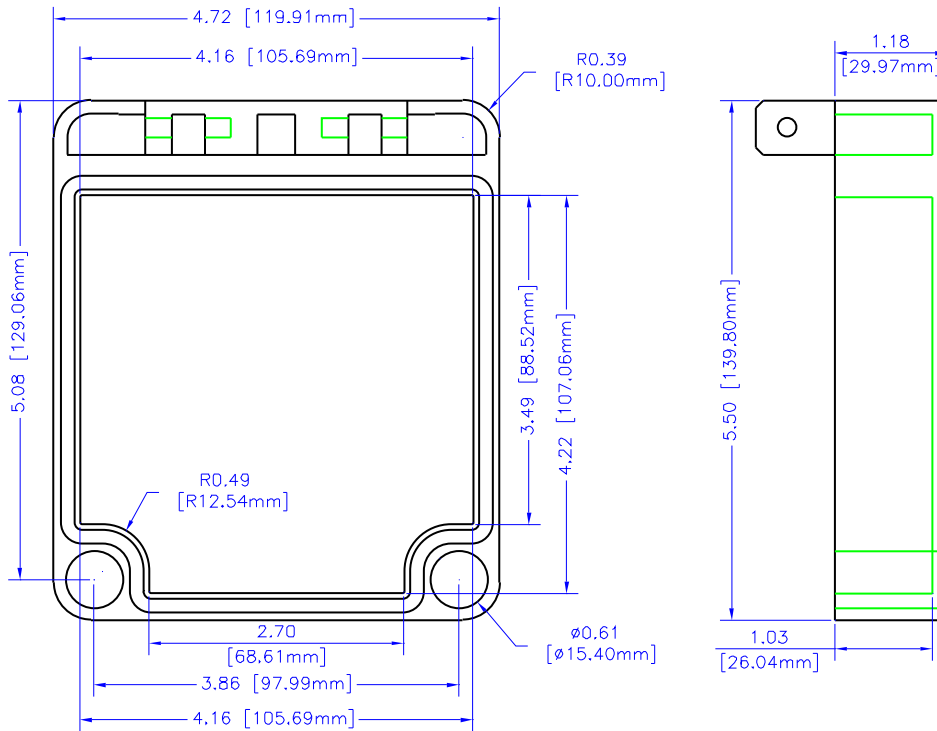
ALL DIMENSIONS ARE TO CENTER UNLESS OTHERWISE SPECIFIED



**HAMMOND
MANUFACTURING**

WEB: WWW.HAMMONDMFG.COM

TITLE	
HAMMOND R130 SERIES POLYESTER ENCLOSURE	
DRAWN BY	MJM
DATE	12/08/01
SCALE	1 OF 2
PART NUMBER	
R130-120-000	



LID VIEW

UNLESS OTHERWISE SPECIFIED	
DIMENSIONS ARE IN INCHES	
FRACTIONS	1/16 1/8 3/16 1/4 5/16 3/8 7/16 1/2 5/8 3/4 7/8 1
DECIMALS	0.03125 0.0625 0.125 0.25 0.5 1.0 2.0 5.0
TOLERANCES	
FRACTIONS	± 0.005
DECIMALS	± 0.005
DIMENSIONS UNLESS OTHERWISE SPECIFIED	
DIMENSIONS ARE IN INCHES	
TOLERANCES	
FRACTIONS	± 0.005
DECIMALS	± 0.005



**HAMMOND
MANUFACTURING**

WEB: WWW.HAMMONDMFG.COM

TITLE		HAMMOND R130 SERIES POLYESTER ENCLOSURE	
DRAWN BY	MJM	DATE	12/08/01
SCALE		PAGE	2 OF 2
PART NUMBER		R130-120-000	