

Excellent Integrated System Limited

Stocking Distributor

Click to view price, real time Inventory, Delivery & Lifecycle Information:

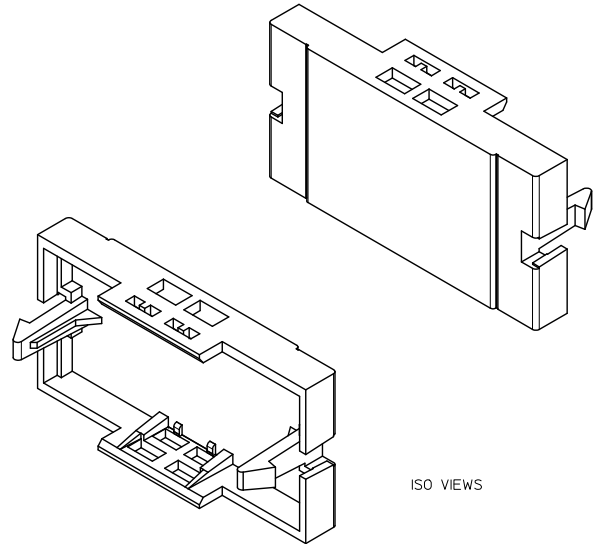
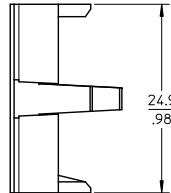
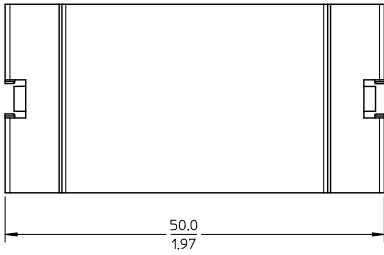
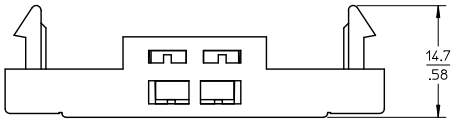
[Molex Connector Corporation](#)
[0180070057](#)

For any questions, you can email us directly:

sales@integrated-circuit.com

NOTES:

1. MATERIAL: POLYCARBONATE/ACRYLONITRILE-BUTADIENE-STYRENE (PC/ABS)
2. PACKAGING : 10 NUMBERS OF MODULES ARE PACKED IN A BAG.



ISO VIEWS

PART NUMBER CHART		
MPN NO.	SAP NO.	COLOR
MUS-00185-01	180070057	ALMOND
MUS-00185-02	180070058	WHITE
MUS-00185-04	180070059	BLACK
MUS-00185-08	180070060	GREY

ENTER DESCRIPTION EC NO: M1S2010-0170 DRAWN BY: PS03 CHKD: JKUMAR APPR: JKUMAR 2010/06/01 2010/06/01 2010/06/16	QUALITY SYMBOLS ▽=0 ▽=0	GENERAL TOLERANCES (UNLESS SPECIFIED) <table border="1"> <tr> <th></th> <th>mm</th> <th>INCH</th> </tr> <tr> <td>4 PLACES</td> <td>± .---</td> <td>± .---</td> </tr> <tr> <td>3 PLACES</td> <td>± .---</td> <td>± .---</td> </tr> <tr> <td>2 PLACES</td> <td>± .---</td> <td>± .020</td> </tr> <tr> <td>1 PLACE</td> <td>± 0.51</td> <td>± .---</td> </tr> <tr> <td>ANGULAR</td> <td>± .---</td> <td>°</td> </tr> </table>		mm	INCH	4 PLACES	± .---	± .---	3 PLACES	± .---	± .---	2 PLACES	± .---	± .020	1 PLACE	± 0.51	± .---	ANGULAR	± .---	°	DIMENSION STYLE MM/IN	SCALE 2:1	DESIGN UNITS METRIC	THIRD ANGLE PROJECTION
				mm	INCH																			
4 PLACES	± .---	± .---																						
3 PLACES	± .---	± .---																						
2 PLACES	± .---	± .020																						
1 PLACE	± 0.51	± .---																						
ANGULAR	± .---	°																						
DRAWN BY: PS03 CHECKED BY: JKUMAR APPROVED BY: JKUMAR DATE: 2010/06/01 DATE: 2010/06/01 DATE: 2010/06/16	TITLE USO II MODULE BLANK - 10/BAG	MATERIAL NO. SEE CHART	DOCUMENT NO. SD-18007-006	SHEET NO. 1 OF 1																				