

## Excellent Integrated System Limited

Stocking Distributor

Click to view price, real time Inventory, Delivery & Lifecycle Information:

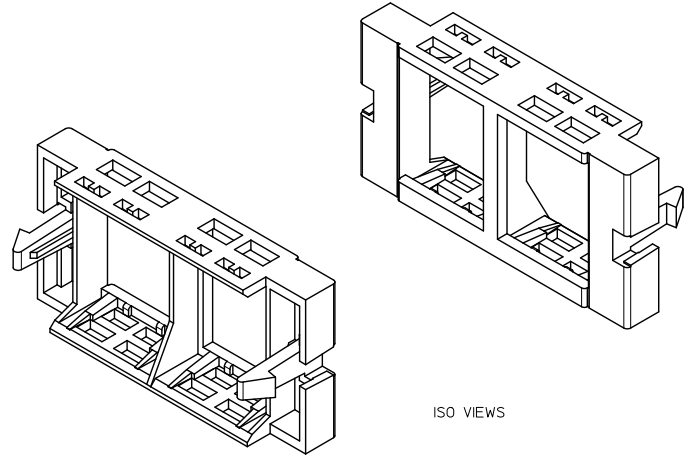
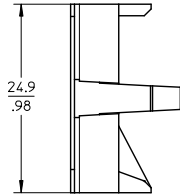
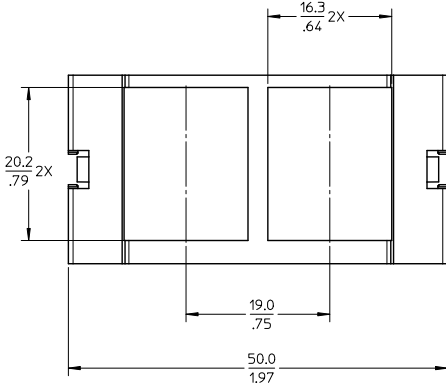
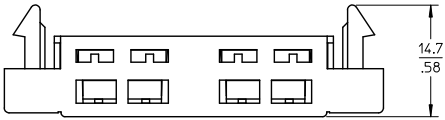
[Molex Connector Corporation](#)  
[0180070051](#)

For any questions, you can email us directly:

[sales@integrated-circuit.com](mailto:sales@integrated-circuit.com)

NOTES:

1. MATERIAL: POLYCARBONATE/ACRYLONITRILE-BUTADIENE-STYRENE (PC/ABS)
2. PACKAGING : 10 NUMBERS OF MODULES ARE PACKED IN A BAG.



ISO VIEWS

PART NUMBER CHART		
MPN NO.	SAP NO.	COLOR
MUS-00097-01	180070051	ALMOND
MUS-00097-02	180070052	WHITE
MUS-00097-04	180070054	BLACK
MUS-00097-08	180070053	GREY

<b>ENTER DESCRIPTION</b> EC NO: M1S2010-0170 DRAWN BY: PS03 CHKD: JKUMAR APPR: JKUMAR DATE: 2010/06/01 DATE: 2010/06/16	<b>QUALITY SYMBOLS</b> ▽=0 ▽=0	<b>GENERAL TOLERANCES (UNLESS SPECIFIED)</b> <table border="1"> <tr> <th></th> <th>mm</th> <th>INCH</th> </tr> <tr> <td>4 PLACES</td> <td>± .---</td> <td>± .---</td> </tr> <tr> <td>3 PLACES</td> <td>± .---</td> <td>± .---</td> </tr> <tr> <td>2 PLACES</td> <td>± .---</td> <td>± .020</td> </tr> <tr> <td>1 PLACE</td> <td>± 0.51</td> <td>± .---</td> </tr> <tr> <td colspan="3">ANGULAR ± .---</td> </tr> </table>		mm	INCH	4 PLACES	± .---	± .---	3 PLACES	± .---	± .---	2 PLACES	± .---	± .020	1 PLACE	± 0.51	± .---	ANGULAR ± .---			DIMENSION STYLE MM/IN	SCALE 2:1	DESIGN UNITS METRIC	THIRD ANGLE PROJECTION
				mm	INCH																			
4 PLACES	± .---	± .---																						
3 PLACES	± .---	± .---																						
2 PLACES	± .---	± .020																						
1 PLACE	± 0.51	± .---																						
ANGULAR ± .---																								
DRAWN BY: PS03 DATE: 2010/06/01 CHECKED BY: JKUMAR DATE: 2010/06/01 APPROVED BY: JKUMAR DATE: 2010/06/16	TITLE US011 1U 2 PORT FASCIA - 10/ BAG	MATERIAL NO. SEE CHART	DOCUMENT NO. SD-18007-005	SHEET NO. 1 OF 1																				