

Excellent Integrated System Limited

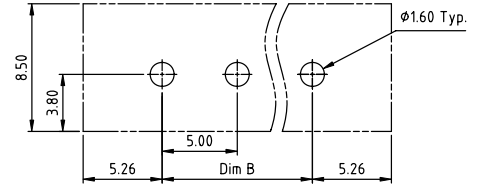
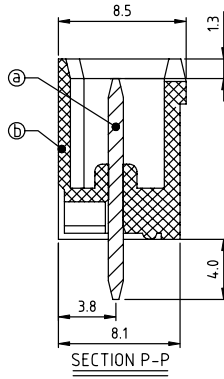
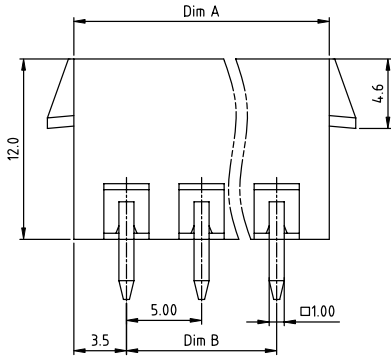
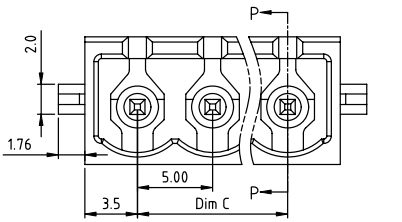
Stocking Distributor

Click to view price, real time Inventory, Delivery & Lifecycle Information:

[FCI](#)
[OQ02715003J0G](#)

For any questions, you can email us directly:
sales@integrated-circuit.com

PRODUCT NUMBER	PITCH
OQxx71x003J0G	5.00 mm



RECOMMENDED P.C.B LAYOUT
TOP VIEW

- Material:
- Item ① Male contact pin: Copper Tin plated
 - Item ② Terminal housing: Thermoplastic (UL94V-0)
- Electrical:
- Voltage rating: cULus /VDE /TUV 300V/300V/300V
 - Current rating: 20A/20A/20A
 - Withstanding Voltage: 1.6 KV/2.5KV/2.5KV
 - Operating temperature: -40°C to +115°C
 - Soldering temperature: 260°C±5°C/5 Sec
 - Safety Approval:

Dimension

Dim A	N×5.0+2.0
Dim B&C	(N-1)×5.0
N = Number of poles	
Poles	Tolerance
2p-6p	±0.15
7p-12p	±0.20
13p-18p	±0.30
19p-24p	±0.40

PART NO.: OQ xx 7 1 x 0 03J0G

- | | | |
|--------------|---------------------|--------------------------|
| No. of poles | 0 Black (RAL9005) | RoHS compliant (lead<4%) |
| 02 2 poles | 2 Red (RAL3001/D) | In copper Alloy |
| 03 3 poles | 3 Orange(RAL2011/P) | |
| ... | 4 Yellow(RAL1018/A) | |
| ... | 5 Green(RAL6018/T) | |
| 24 24 poles | 6 Blue (RAL5015/A) | |
| | 8 Grey(RAL7035/D) | |
| | 9 White(RAL1102) | |
| | C Green(RAL6018/U) | |

mat'l. code	surface ASME Y14.5 ✓ tolerance ASME Y14.5 tolerances unless otherwise specified	projection MM	product family TERMINAL BLOCK
ltr	ecn no	dr	date
angles	X.±0.5		
X'±1'	X.X±0.3		
	X.XX±0.1	scale	
dr	HANKE FENG	032814	
enqr	HANKE FENG	032814	
chr	SHI JUN	032814	
appd	SHI JUN	032814	
sheet index	revision sheet	A 1	
title		TERMINAL BLOCK	
type		CUSTOMER Drawing	
title		PLUGGABLE SOCKET, WITH LATCH, VERTICAL	
dwg no		OQxx71x003J0G	
sheet 1 of 1		size A4	