

Excellent Integrated System Limited

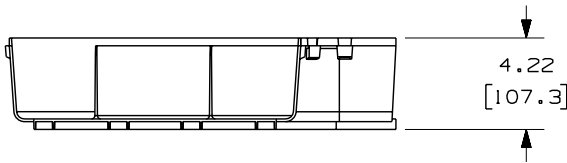
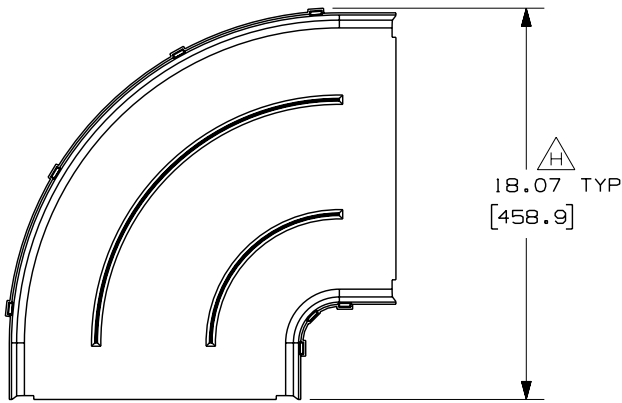
Stocking Distributor

Click to view price, real time Inventory, Delivery & Lifecycle Information:

[Panduit](#)
[FRRA12X4BL](#)

For any questions, you can email us directly:
sales@integrated-circuit.com

THIS COPY IS PROVIDED ON A RESTRICTED BASIS AND IS NOT TO BE USED IN ANY WAY DETRIMENTAL TO THE INTERESTS OF PANDUIT CORP.

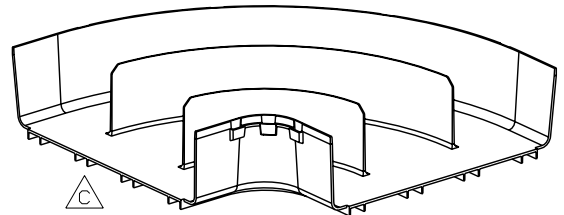


PANDUIT P/N	WEIGHT
FRRA12X4	2.75 LB/EACH 1247g/EACH



NOTES:

1. SEE CURRENT CATALOG FOR ADDITIONAL PART SUFFIXES TO INDICATE COLOR AND/OR PACKAGE QUANTITY.
2. THE FIBERRUNNER 12x4 HORIZONTAL RIGHT ANGLE FITTING IS DESIGNED WITH A MINIMUM 2" (50.8) BEND RADIUS TO PROTECT FIBER OPTIC CABLES.
3. DIMENSIONS IN PARENTHESIS ARE IN METRIC.



ENG. REF.: D37617BL_DC_FRRA12X4_02.prt

CAD FILENAME/LAYERS		A FRRA12X4.pdf	
PANDUIT CORP TINLEY PARK, ILLINOIS			
FIBERRUNNER 12x4 HORIZONTAL RIGHT ANGLE FITTING (FRRA12X4) CUSTOMER DRAWING			
UNLESS OTHERWISE SPECIFIED, DIMENSIONAL TOLERANCES ARE:		UNLESS OTHERWISE SPECIFIED, ALL DIMENSIONS ARE GIVEN IN INCHES, THIRD ANGLE PROJECTION.	
(.X) ±	(.XXX) ±		
(.XX) ± .03 (.8)	ANGLES ±		
DRAWN BY JHNU	MAT'L: ABS	SCALE NONE	DWG NO.
DATE 12-28-00			37617-62
CHK'D HIW			A SIZE

REV	DATE	BY	CHK	DESCRIPTION	ECN	R	CUST	SUP	GMBH
-	-----	---	--	H. REVISED DIMENSION G. REVISED PART WEIGHT	-----	--	--		
3	7-12-06	DTP	RN	F. REVISED GENERAL NOTES E. REVISED DRAWING TITLE	37617-62	RN	RN		
2	6-25-04	MSO	SMF	D. REVISED PART WEIGHT; WAS 2.29 LB.	37617-62	RN	RN		
-	-----	---	---	C. REVISED PART GEOMETRY.	-----	--	--		
1	3-26-04	MSO	SMF	B. REVISED DRAWING TITLE. A. REVISED CAD FILENAME.	37617-62	RN	RN		
R	12-28-00	JHNU	SMF	RELEASED TO PRODUCTION	37617-62	HIW	HIW		