

Excellent Integrated System Limited

Stocking Distributor

Click to view price, real time Inventory, Delivery & Lifecycle Information:

[SL Power Electronics - Manufacturer of Condor/Ault Brands
GLC65E](#)

For any questions, you can email us directly:
sales@integrated-circuit.com



GLC65 Commercial/GLM65 Medical 65 Watt Multiple Output Global Performance Switchers

MULTIPLE OUTPUT GLOBAL PERFORMANCE SWITCHERS

Summary:

- 65 Watt Wide Range Input
- High Efficiency (Up to 90%)
- Universal input 90-264 Vac
- 2-year warranty
- Also available in single outputs
- Conducted EMI complies with FCC Class B and CISPR 22 Class B (Commercial models) and CISPR 11 Class B (Medical models)
- Exempt from line harmonics standard EN61000-3-2
- Commercial Approved to UL1950, CSA-C22.2 No. 950,
- Medical Approved to UL2601-1, CSA 22.2 No. 601.1, and EN60601-1• Medical Approved to UL2601-1, CSA 22.2 No. 601.1,
- RoHS Compliant (G suffix)
- CE marked to LVD



SPECIFICATIONS

Ac Input 90-264 Vac, 47-63 Hz single phase.	Minimum Load No minimum load required on any output. However, regulation limits may be exceeded if extreme conditions are applied. Contact factory for assistance.
Output Power Total continuous output power is 60 W, 75 W peak for 60 s 10% duty cycle. Total continuous rating with 150 LFM of air is 70 W.	Temperature Coefficient: 0.03%/°C typical on all outputs.
Input Current Units are exempt from input current harmonic requirements of EN61000-3-2 when output power is less than 62W. Maximum input current at minimum input voltage and output overload will be less than 2.0 A.	Voltage Adjustment Units provided with one potentiometer capable of adjusting all 3 outputs a minimum of +/- 5% from nominal setting.
Inrush Current Inrush is limited by internal thermistor. The inrush at 240 Vac, averaged over the first ac half-cycle under cold start conditions will not exceed 37 A.	EMI / EMC Compliance: All models include built-in EMI filtering to meet EMC requirements of IEC601-1-2.
Input Protection Internal AC fuse provided on all units. Designed to blow only if a catastrophic failure occurs in the unit -- Fuse does not blow on short circuit or unsustained overload.	PERFORMANCE
Holdup Time Output voltage stays within regulation for 20 ms from loss of ac input at 65 W load, from 120 Vac input.	EMC STANDARD
Efficiency 80% minimum.	Conducted Emissions GLC65 Conducted Emissions GLM65 Static Discharge RF Field Susceptibility Fast Transients/Bursts Surge Susceptibility Conducted RF Susceptibility Voltage Sags & Surges Line Frequency Harmonics
Overload Protection Fully protected against short circuit and output overload. Short circuit protection is cycling type power limit and will automatically recover after removal of fault.	EN55022 Class B; FCC Class B EN55011 Class B; FCC Class B EN61000-4-2, Level 3 EN61000-4-3, Level 3 EN61000-4-4, Level 3 EN61000-4-5, Level 3 EN61000-4-6, 3V, 80% EN61000-4-11 EN61000-3-2 Class A (>62Wout) Exempt (<62Wout)
Overvoltage Protection Built in with firing point set. OVP firing reduces output to less than 50% of nominal voltage in less than 50 ms.	GLC65 Commercial - Safety SL Power Electronics Corp declares under our sole responsibility that all models are in conformity with the applicable requirements of EN60950 following the provisions of the Low Voltage Directive 73/23/EEC. All models are approved to UL1950 (with no D3 deviations), CSA22.2 No. 950-95 3rd edition, Level 3, IEC950, EN60950. CB certificate available.
Output Noise 0.5% rms, 1% pk-pk, 20 MHz Bandwidth, differential mode. Measured with scope probe directly across output terminals of the power supply with load terminated with 1µF capacitor.	Commercial Leakage Current Less then 500 µA @ 120 Vac. Less then 1.2 mA @ 240 Vac.
Transient Response Main Output - 500 µs typical response time for return to within 0.5% of final value for a 50% load step within the regulation limits of minimum and maximum load, Δi/Δt < 0.2 A/µs. Maximum voltage deviation is 3.5%.	GLM65 Medical - Safety Approvals: All models are certified to be in compliance with the applicable requirements of UL2601-1, CSA 22.2 No. 601.1, IEC 601-1 (1988), EN 60601-1: 1990.
	Medical Leakage Current 80 µA under normal conditions (132 Vac @ 60 Hz). Maximum under single fault conditions (264 Vac @ 60 Hz) is 180 µA.

All specifications are typical at nominal input, full load at 25°C unless otherwise stated

Commercial Model	Medical Model	Output No.	Output	Output Maximum (A)	Output Maximum (B)	Total Regulation (E)	V1 Adjustment Note (C)	OVP Set-point	Ripple/Noise
GLC65A	GLM65A	1 2 3	+5.0V +12V -12V	7 A 3 A 2.5 A	9 A 5 A 4 A	2% 5% 6%	± 5% — —	6.2 ± 0.6 V — —	1% 1% 1%
GLC65B	GLM65B	1 2 3	+5.1V +15V -15V	7 A 2.5 A 2 A	9 A 4 A 3 A	2% 4% 5%	± 5% — —	6.2 ± 0.6 V — —	1% 1% 1%
GLC65D	GLM65D	1 2 3	+5.0V +24V -12V	7 A 1.5 A 2.5 A	9 A 2.5 A 4 A	2% 3% 6%	± 5% — —	6.2 ± 0.6 V — —	1% 1% 1%
GLC65E	GLM65E	1 2 3	+5.0V +24V +12V	7 A 1.5 A 2.5 A	9 A 2.5 A 4 A	2% 3% 6%	± 5% — —	6.2 ± 0.6 V — —	1% 1% 1%
GLC65G	GLM65G	1 2 3	+5.0V +3.3V +12V	5 A 4 A 2.5 A	8 A 5 A 4 A	3% 3% 6%	± 5% — —	6.2 ± 0.6 V — —	1% 1% 1%
GLC65H	GLM65H	1 2 3	+3.3V +5.0V +12V	5 A 4 A 2.5 A	8 A 6 A 3 A	3.5% 4.5% 6%	± 5% — —	4.3 ± 0.8 V — —	1% 1% 1%

Notes:

- A. Continuous individual output ratings for unrestricted convection cooling. Combination of individual output loads must not exceed total power rating.
- B. Peak rating for 60 s 10% duty cycle or continuous rating 150 LFM forced air cooling.
- C. Adjustment on V1 varies all outputs simultaneously (1% on V1 @ 1% on V2 & V3).
- D. Total combined current of V1 & V2 not to exceed 12 A. Combination of individual output loads must not exceed total power rating.
- E. Total regulation is defined as maximum deviation from the initial set point. With all other outputs at 50% load, output under test can be varied from 0 to 100% load and varied to any ac line voltage. Initial set point is 1% on V1, 2% on V2 and 3% on V3
- F. Add "G" suffix to model number for RoHS compliant model.

GLC65 MECHANICAL SPECIFICATIONS

INPUT J1:
 AMP P/N 640445-3, .156 [3.96mm] CTR,
 0.045 [1.14mm] SQUARE PIN HEADER

PIN 3) AC NEUTRAL
 PIN 2) NO PIN
 PIN 1) AC LINE

OUTPUT J2:
 AMP P/N 640445-6, .156 [3.96mm] CTR,
 0.045 [1.14mm] SQUARE PIN HEADER

PIN 1-3) OUTPUT
 PIN 4-6) COMMON
 GND: 0.250" FASTON TAB

SENSE J3:
 AMP P/N 640456-2, .100 [2.54mm] CTR,
 0.025 [0.64mm] SQUARE PIN HEADER

PIN 1) +SENSE
 PIN 2) -SENSE

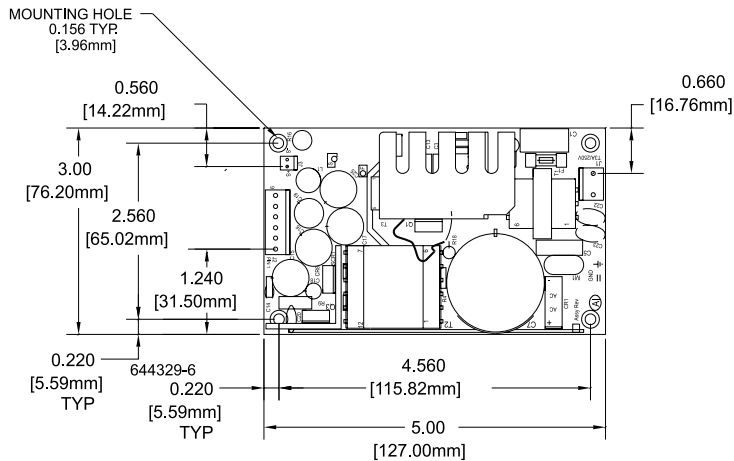
MATING CONNECTORS: AMP P/N

	HOUSING	CONTACTS
INPUT	640250-3	770476-1
OUTPUT	640250-6	770476-1
SENSE	640440-2	770476-1

NOTE: 5A MAXIMUM RECOMMENDED CURRENT PER CONNECTOR PIN

WEIGHT: 5 OZ.
 [0.142 KG]

TOLERANCES:
 X.XX = ± 0.030 (0.76MM)
 X.XXX = ± 0.010 (0.25MM)



MAX. COMPONENT HEIGHT 1.20" [30.28mm]
 MAX. LEAD PROTRUSION 0.10" [2.54mm]

A. Units should be allowed to warm up/operate under non-condensing conditions before application of power. Derate output current and total output power by 2.5% per °C above 50°C. For operation in a confined space, moving air may be required. Under all conditions, the cooling vs. load profile should be such that heat sinks and/or heatsink temperatures do not exceed 90 °C for extended periods.

B. Shock testing—half-sinusoidal, 10 ± 3 ms duration, ± direction, 3 orthogonal axes, total 6 shocks.

C. Random vibration—10 to 2000Hz, 6dB/octave roll-off from 350 to 2000Hz, 3 orthogonal axes. Tested for 10 min./axis operating and 1 hr./axis non-operating.

ENVIRONMENTAL SPECIFICATIONS	OPERATING	NON-OPERATING
Temperature (A)	0 TO 50°C	-40 to +85°C
Humidity (A)	0 to 95% RH	0 to 95% RH
Shock (B)	20 g _{pk}	40 g _{pk}
Altitude	-500 to 10,000 ft	-500 to 40,000 ft
Vibration (C)	1.5 g _{rms} 0.003 g ² /Hz	5 g _{rms} 0.026 g ² /Hz