

## Excellent Integrated System Limited

Stocking Distributor

Click to view price, real time Inventory, Delivery & Lifecycle Information:

[Switchcraft Inc.](#)  
[3180-2PG-315](#)

For any questions, you can email us directly:  
[sales@integrated-circuit.com](mailto:sales@integrated-circuit.com)

# MULTI-CON-X® FIELD INSTALLABLE CONNECTORS



**Cable Pin**  
 3X8X-XPX-XXX  
**Matching Mates:**  
 • Cable-Cable  
 5X8X-XSG-XXX  
 • Panel  
 4XXX-XSG-XXX



**Panel Mount**  
 4X8X-XXG-XXX  
**Matching Mates:**  
 • Cable Pin  
 3X8X-XPX-XXX  
 • Cable Socket  
 3X8X-XSG-XXX



**P/C Tail Panel Mount**  
 4XXX-XXG-XXX  
**Matching Mates:**  
 • Cable Pin  
 3X8X-XPX-XXX  
 • Cable Socket  
 3X8X-XSG-XXX



**Cable Socket**  
 3X8X-XSG-XXX  
**Matching Mates:**  
 • Cable-Cable  
 5X8X-XPX-XXX  
 • Panel  
 4XXX-XPX-XXX



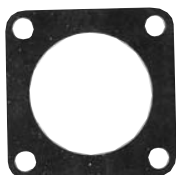
**Cable to Cable**  
 5X8X-XXG-XXX  
**Matching Mates:**  
 • Cable Pin  
 3X8X-XPX-XXX  
 • Cable Socket  
 3X8X-XSG-XXX



**Mechanical Back Shell**  
 (Style #5)



**Square Flange Adapter**  
 4296



**Square Flange Gasket**  
 4297



**Dust Cap**  
 4295



**Winged Coupling Ring**  
 W/4482

## Molded Cable Assemblies (See pages 3 & 26)



**Cable End**



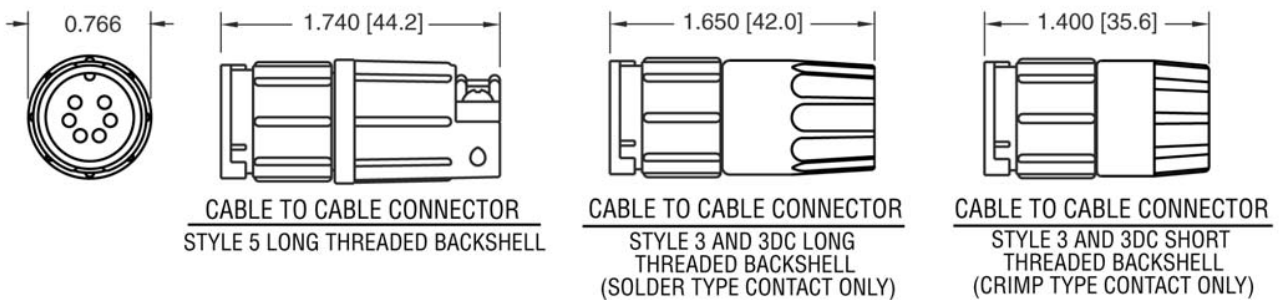
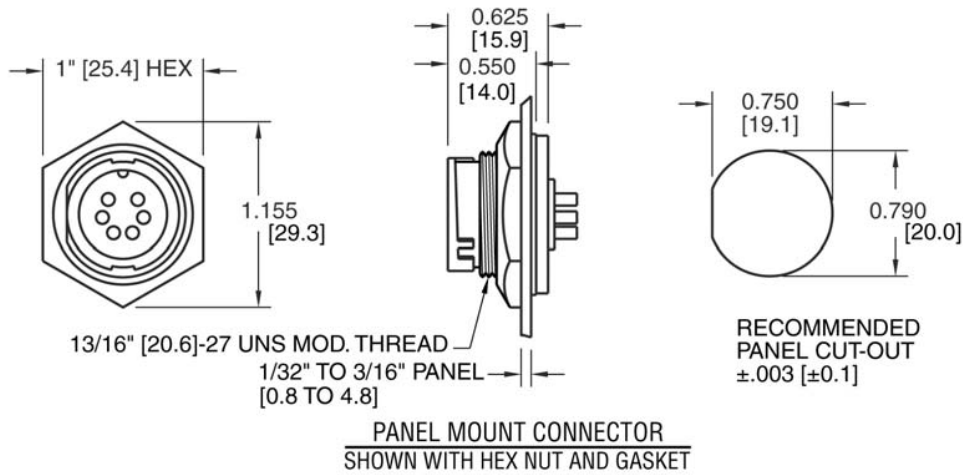
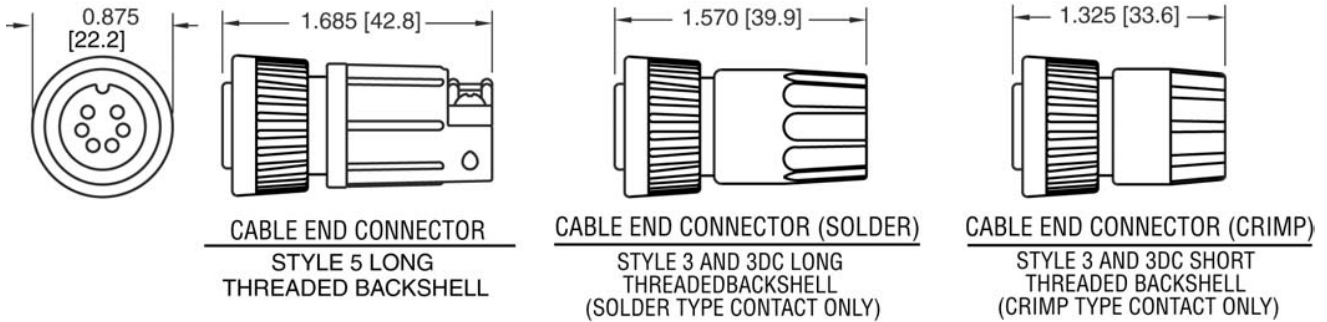
**Cable to Cable**



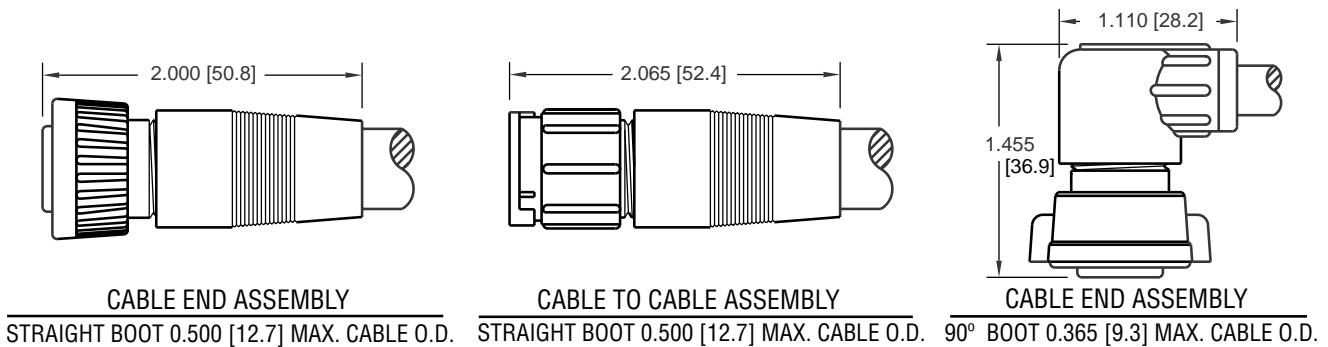
**Right Angle**

# MULTI-CON-X<sup>®</sup> FIELD INSTALLABLE CONNECTORS

## Dimensions



## Molded Cable Assemblies (See pages 3 & 26)

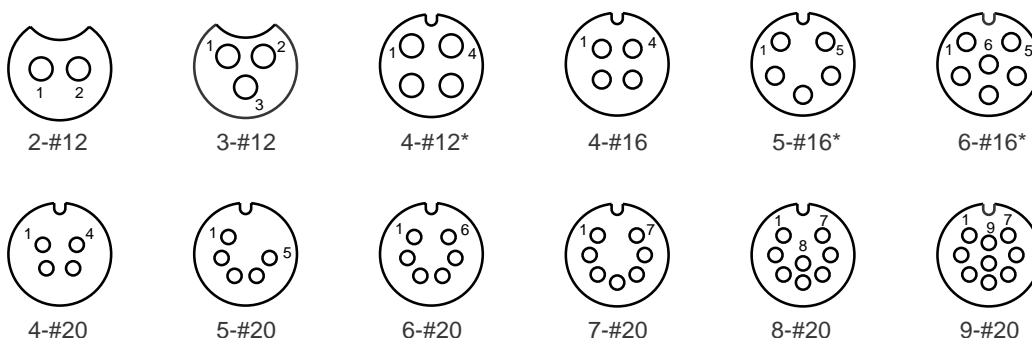


# MULTI-CON-X® FIELD INSTALLABLE CONNECTORS

## Part Number to Order

<p><b>Connector Type:</b> _____</p> <p>3 - Cable End 4 - Panel Mount 5 - Cable to Cable</p> <p><b>Contact Size:</b> _____</p> <p>1 - #12 (2-4 Contacts) 2 - #20 (4-9 Contacts) 3 - #16 (4-6 Contacts)</p> <p><b>Contact Style:</b> _____</p> <p>80 - Crimp (Supplied loose) 81 - P/C Tail .187" (4.7) (Supplied assembled) 82 - Solder Cup (Supplied assembled) 91 - P/C Tail .280" (7.1) (Supplied assembled)* 92 - P/C Tail .335" (8.5) (Supplied assembled)*</p> <p><b>Number of Contacts:</b> _____</p> <p>2, 3, 4, 5, 6, 7, 8 &amp; 9</p> <p><b>Type of Contact:</b> _____</p> <p>P - Pin S - Socket</p> <p><b>Contact Plating:</b> _____</p> <p>G - Gold over Nickel (Standard)</p> <p><b>EMI/RFI shielded assemblies available - consult factory.</b>        *Available in #20 size contact only.  <b>Consult factory for optional threaded coupling.</b>  <b>Consult factory for your custom design cable assemblies and connectors. (See pages 3 &amp; 26)</b></p>	<p><b>X X XX-X XG-XXX</b></p>	<p><b>Grommet Code – Cable O.D. Range:</b></p> <p>15 - .15 - .17 (3.8-4.3) 18 - .18 - .20 (4.6-5.1) 21 - .21 - .23 (5.3-5.8) 24 - .24 - .27 (6.1-6.8) 28 - .24 - .28 (7.1-7.4) 30 - .30 - .32 (7.6-8.1)</p> <p><b>Back Shell Style 3 or 5</b></p> <p><b>Back Shell Style:</b></p> <p>3 Weathertight grommet grip/seal &amp; (1) interfacial "O" ring.</p> <p>3DC - Daisy chain grommet with 3 I.D.s (.125, .188 &amp; .250)</p> <p>5 Mechanical screw-down cable clamp with grommet seal.</p> <p>300 - Panel mount with hex nut &amp; gasket.</p> <p>3ES - 300 with Epoxy (Panel Mount Only)</p>
---	-------------------------------	--

## Contact Arrangements



Contact arrangements shown are wiring view of cable end pins/sockets.  
 Key/keyway shown for orientation only.

\*Available in connector types: cable end socket, panel mount pin, and cable to cable pin styles only.

# MULTI-CON-X<sup>®</sup> FIELD INSTALLABLE CONNECTORS

## Specifications

### Typical Specifications

Manufacturers Identifications	Multi-Con-X <sup>®</sup>
Description	Field Installable Connector & Custom Cable Assemblies
Rating	1.95 thru 23.0A, 600V
Conductor Size	#12 Contacts, 12 thru 14 AWG #16 Contacts, 16 thru 18 AWG #20 Contacts, 20 thru 24 AWG
Configuration	2 thru 4 #12 Contacts 4 thru 6 #16 Contacts 4 thru 9 #20 Contacts
Certification	UL Recognized File #E138878 - 250V CSA Certified File #LR89277 - 600V

### Material Specifications

#### Cable Pin/Socket

Backshell (Threaded)	Nylon, UL Recognized, Black (Style #3)
Grommet	Santoprene Rubber, Black
Coupling Ring	Nylon, UL Recognized, Black
Contacts	Brass, Gold over Nickel
Connector Body	Nylon, UL Recognized, Black
O-Ring	Nitrile Rubber, Black
Sleeve	Nylon, UL Recognized, Black

#### Cable to Cable

Backshell (Threaded)	Nylon, UL Recognized, Black (Style #3)
Grommet	Santoprene, Rubber, Black
Contacts	Brass, Gold over Nickel
Connector Body	Nylon, UL Recognized, Black

#### Optional

Long Backshell (Threaded)	Nylon, UL Recognized, Black (Style #3 with solder contacts)
Winged Coupling Ring	Nylon, UL Recognized, Black (W/4482)
Mechanical Backshell (Threaded)	Nylon, UL Recognized, Black (Style #5)
- Strap	Nylon, UL Recognized, Black
- Screws	Cadmium Plated

#### Panel Mount

Contacts	Brass, Gold over Nickel
Panel Body	Nylon, UL Recognized, Black
Gasket	Nitrile Rubber, Black
Hex Nut	Nylon, UL Recognized, Black

#### Optional

Dust Cap	Santoprene Rubber, Black (Part No. 4295)
Square Flange Adapter	Nylon, UL Recognized, Black (Part No. 4296)
Square Flange Adapter Gasket	Nitrile Rubber, Black (Part No. 4297)

### Mechanical Specifications

Durability	Minimum 300 mate/unmate cycles without mechanical or electrical failure
Vibration	Coupling rings have overriding locking feature to prevent loosening or separation of connector
Hex Nut Torque	All series hex nut to withstand 10-12 inch/lb tightening torque

### Electrical Specifications

Voltage	600 V
Current	See Electrical Current Rating Chart (Page 27)

### Environmental Specifications

Temperature Rating	-55°C to +125°C (-67°F to +257°F)
Corrosion	300 Hr salt spray contacts
Weatheright	Consult factory with specific application

### Molded Cable Assemblies

Watertight	(See Pages 3 & 26) NEMA 6P, 13: IEC IP67
------------	---