

## Excellent Integrated System Limited

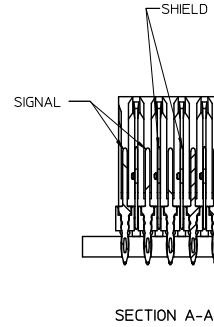
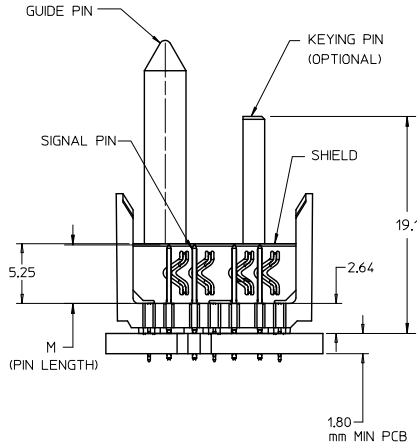
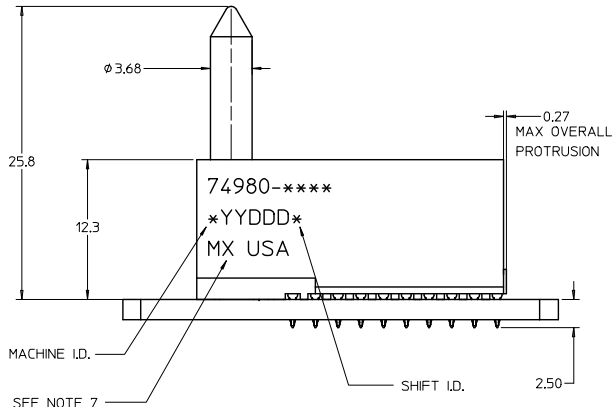
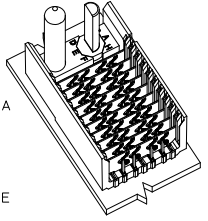
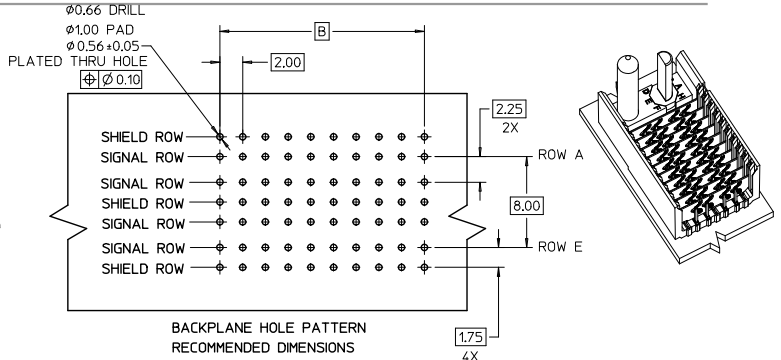
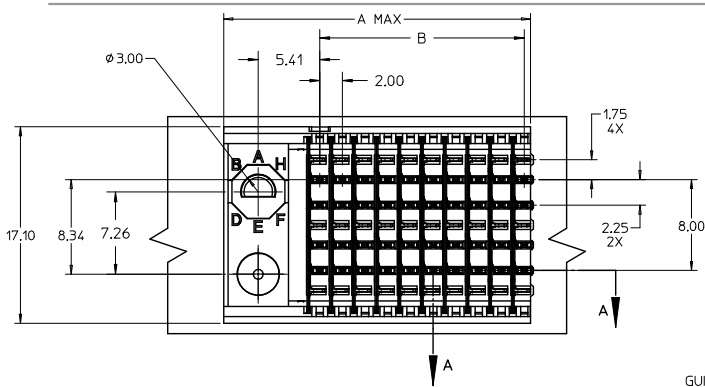
Stocking Distributor

Click to view price, real time Inventory, Delivery & Lifecycle Information:

[Molex Connector Corporation](#)  
[0749801013](#)

For any questions, you can email us directly:

[sales@integrated-circuit.com](mailto:sales@integrated-circuit.com)



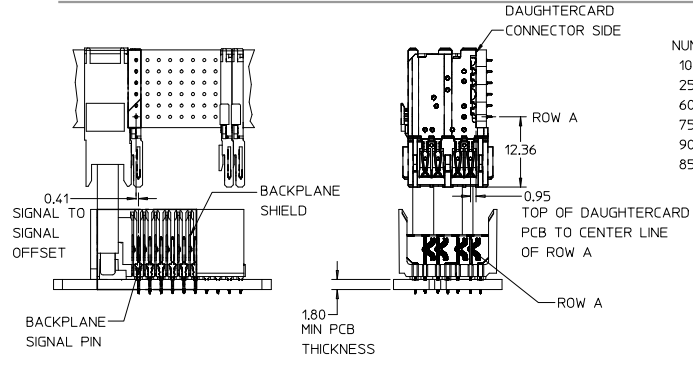
NOTES:

1. MATERIAL: HOUSING-LIQUID CRYSTAL POLYMER (LCP) GLASS-FILLED, UL 94V-0, COLOR-BLACK, SIGNAL AND SHIELD - HIGH PERFORMANCE COPPER ALLOY.
2. FINISHES:  
CONTACT AREA: SELECTIVE GOLD (Au)  
PCB TAILS: SELECTIVE MATTE TIN (Sn)  
NICKEL (Ni) OVERALL.
3. THIS PART CONFORMS TO MOLEX PRODUCT SPECIFICATION PS-74031-999.
4. FOR MIXED CONTACT MATING LENGTHS - CONSULT MOLEX FOR AVAILABILITY.
5. FOR SPECIFIC PART NUMBER AND MATING INFORMATION REFER TO SHEET 2.
6. PACKAGE PER PK-74058-003.
7. MARK PART NUMBER AND DATE CODE APPROXIMATELY WHERE SHOWN
8. MAPS (MOLEX ADVANCED PLATING SYSTEM).

THE PRIMARY CARTON WITH A LABEL STATING 'ELV AND RoHS COMPLAINT' IS LEAD FREE. CARTONS WITHOUT THIS LABEL MAY CONTAIN LEAD.

LEAD FREE CONVERSION EC NO: UCP 2015-0687 DRAWINGS: 2012/08/22 CHK: KMOULFE 2012/11/21 APPR: SMILLER 2012/12/14 DESCRIPTION: REV	QUALITY SYMBOLS	GENERAL TOLERANCES (UNLESS SPECIFIED)	DIMENSION STYLE	SCALE	DESIGN UNITS	THIRD ANGLE PROJECTION
	▽=0	mm INCH	MM ONLY	4:1	METRIC	
	▽=0	4 PLACES ± --- ± ---	DRAWN BY	DATE	TITLE	
	▽=0	3 PLACES ± --- ± ---	NMART IN	2002/09/04	HSD SALES ASSEMBLY	
	2 PLACES ± --- ± ---	CHECKED BY	DATE	6 ROW SIGNAL END		
	1 PLACE ± --- ± ---	SREED	2002/09/04	BACKPLANE		
	0 PLACE ± --- ± ---	APPROVED BY	DATE	<b>molex</b>		
		CBIXLER	2002/09/04			
		MATERIAL NO.	DOCUMENT NO.			
		SEE SHT.2	SD-74980-010			
		DRAFT WHERE APPLICABLE MUST REMAIN WITHIN DIMENSIONS	THIS DRAWING CONTAINS INFORMATION THAT IS PROPRIETARY TO MOLEX INCORPORATED AND SHOULD NOT BE USED WITHOUT WRITTEN PERMISSION			

13 12 11 10 9 8 7 6 5 4 3 2 1



NUMBER OF COLUMNS/PLATING  
 10 = 10 COLUMN MATTE TIN (FORMERLY TIN/LEAD)  
 25 = 25 COLUMN MATTE TIN (FORMERLY TIN/LEAD)  
 60 = 10 COLUMN MATTE TIN (MAPS)  
 75 = 25 COLUMN MATTE TIN (MAPS)  
 90 = 10 COLUMN MATTE TIN  
 85 = 25 COLUMN MATTE TIN

74980-\*\*\*

SIGNAL PIN LENGTH (mm)  
 1 & 6 = 4.75  
 2 & 7 = 6.25  
 3 & 8 = 4.25  
 4 & 9 = 5.15

P/N 74980-( )	0	1* A	2* B	3* C	4* D	5* E	6* F	7* G	8* H
KEYING PIN ORIENTATION									

PART NUMBER	COLUMN	NUMBER OF SIGNAL PIN	NUMBER OF SHIELD	A	B	M	GOLD THICKNESS MICROMETER	TIN THICKNESS MICROMETER
74980-60*1	10	40	10	27.00	18.00	4.75	0.25 MAPS	0.76-1.52
74980-x0*1							0.76	
74980-x0*6							1.27	
74980-75*1	25	100	25	57.00	48.00	6.25	0.25 MAPS	
74980-x5*1							0.76	
74980-x5*6							1.27	
74980-60*2	10	40	10	27.00	18.00	6.25	0.25 MAPS	
74980-x0*2							0.76	
74980-x0*7							1.27	
74980-75*2	25	100	25	57.00	48.00	4.25	0.25 MAPS	
74980-x5*2							0.76	
74980-x5*7							1.27	
74980-60*3	10	40	10	27.00	18.00	4.25	0.25 MAPS	
74980-x0*3							0.76	
74980-x0*8							1.27	
74980-75*3	25	100	25	57.00	48.00	5.15	0.25 MAPS	
74980-x5*3							0.76	
74980-x5*8							1.27	
74980-60*4	10	40	10	27.00	18.00	5.15	0.25 MAPS	
74980-x0*4							0.76	
74980-x0*9							1.27	
74980-75*4	25	100	25	57.00	48.00	5.15	0.25 MAPS	
74980-x5*4							0.76	
74980-x5*9							1.27	

SEE SHEET 1 EC NO: UCP2013-0687 DRAWING NO: 2012/08/27 CHKD: MOLE APPR: MILLER 2012/11/21 REV	QUALITY SYMBOLS	GENERAL TOLERANCES (UNLESS SPECIFIED)	DIMENSION STYLE	SCALE	DESIGN UNITS	THIRD ANGLE PROJECTION
	▽=0	mm INCH	MM ONLY	4:1	METRIC	
	▽=0	4 PLACES ± --- ± ---	DRAWN BY	DATE	TITLE	
	▽=0	3 PLACES ± --- ± ---	NMART IN	2002/09/04	HSD SALES ASSEMBLY 6 ROW SIGNAL END BACKPLANE	
	2 PLACES ± --- ± ---	CHECKED BY	DATE	molex		
	1 PLACE ± --- ± ---	SREED	2002/09/04			
	0 PLACE ± --- ± ---	APPROVED BY	DATE	SD-74980-010		
		CBIXLER	2002/09/04	SHEET NO. 2 OF 2		
		MATERIAL NO.	DOCUMENT NO.	THIS DRAWING CONTAINS INFORMATION THAT IS PROPRIETARY TO MOLEX INCORPORATED AND SHOULD NOT BE USED WITHOUT WRITTEN PERMISSION		