

Excellent Integrated System Limited

Stocking Distributor

Click to view price, real time Inventory, Delivery & Lifecycle Information:

[Molex Connector Corporation](#)
[0524651070](#)

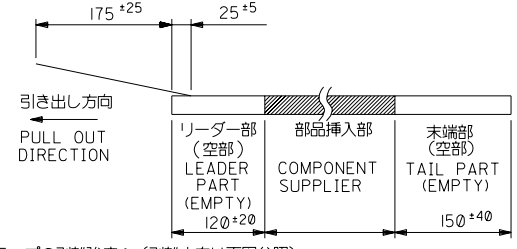
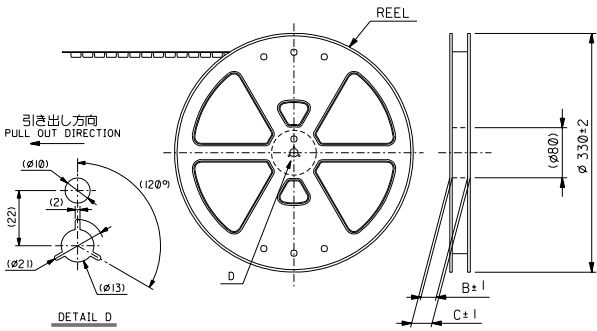
For any questions, you can email us directly:

sales@integrated-circuit.com

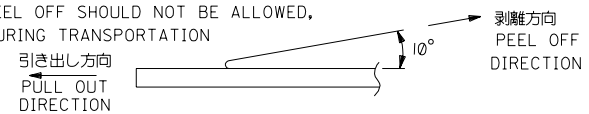
DWG. NO. SD-52465-024.
E
D
C
B
A
DIMENSIONS IN METRIC DO NOT SCALE DRAWING

注記 NOTES

1. 梱包数量: 1000個/リール NUMBER OF CONNECTORS: 1000PCS/REEL
2. リードテープ長さ LEAD TAPE LENGTH
 トップテープ TOP TAPE トップテープ TOP TAPE
 リーダー部 LEADER PART 未接層部 NON-BONDED PART



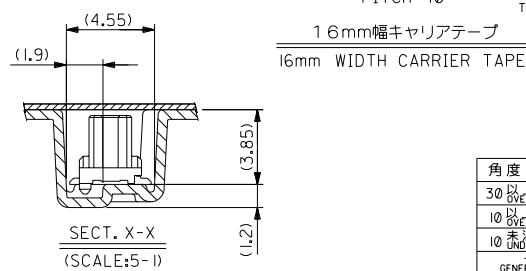
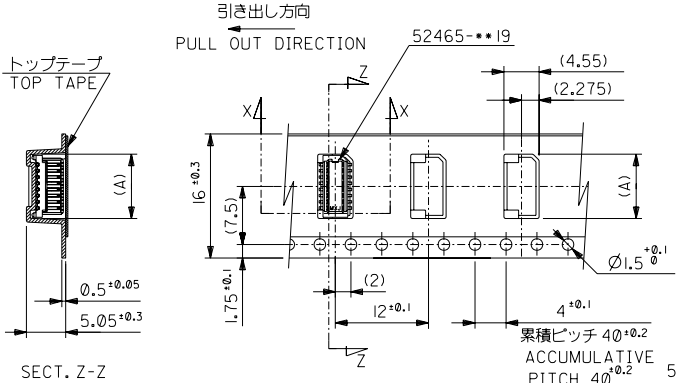
3. トップテープの剥離強度: (剥離方向は下図参照)
 0.1N~1.3N (10gf~130gf) 尚、本規格値は、出荷時に適用。
 (但し、輸送時に剥離が発生しない事。)
 PEELING OFF FORCE OF TOP TAPE
 0.1N~1.3N (10gf~130gf) (PEELING DIRECTION AS SHOWN IN FOLLOWING FIG.)
 THIS REQUIREMENT SHOULD BE APPLIED AT SHIPMENT
 PEEL OFF SHOULD NOT BE ALLOWED,
 DURING TRANSPORTATION



4. 材料 キャリアテープ: ポリプロピレン (PP)
 トップテープ: PET, PE, PEF
 リール: ポリスチレン (PS) <リサイクル材を含む>

MATERIAL
 CARRIER TAPE: POLYPROPYLENE
 TOP TAPE: PET, PE, PEF
 REEL: POLYSTYRENE(PS)
 <RECYCLE MATERIAL CONTAINED>
 5. 本製品は52465-**-90の鉛フリー品である。
 THIS PRODUCT IS LEAD FREE OF 52465-**-90

16	21.4	17.4	9.1	52465-1870	18		
			8.3	52465-1670	16		
			7.5	52465-1470	14		
			6.7	52465-1270	12		
			5.9	52465-1070	10		
キャリアテープ幅 CARRIER TAPE WIDTH			C	B	(A)	MATERIAL. NO.	極数 CIRCUIT



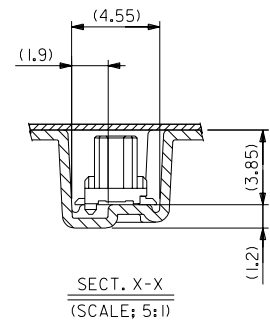
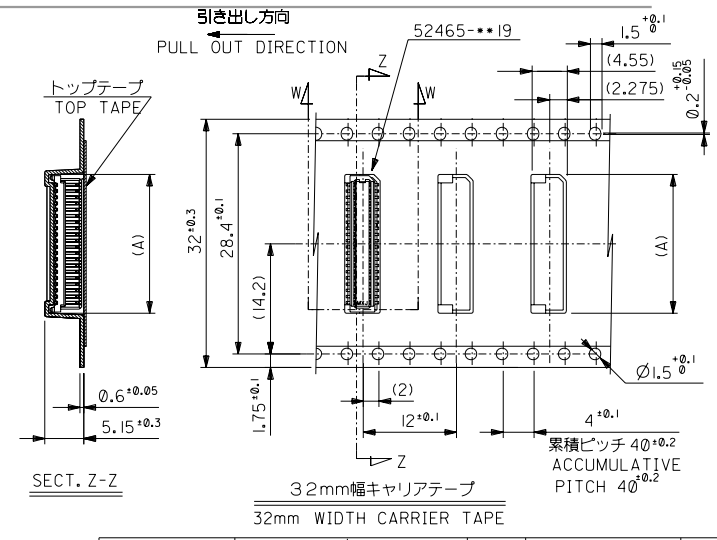
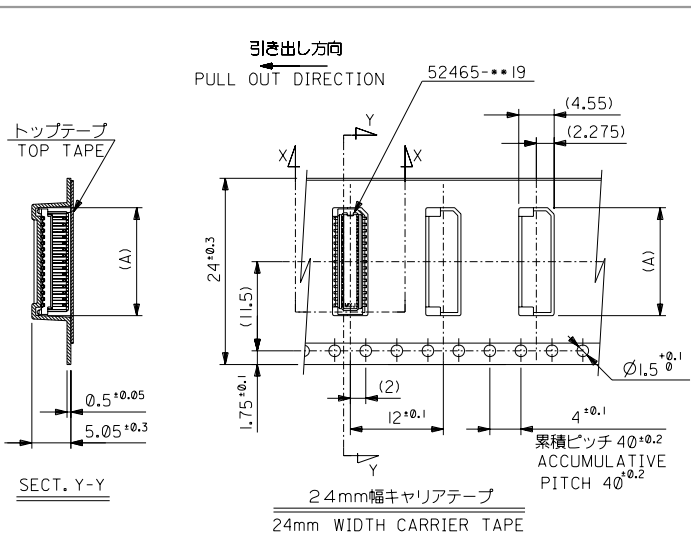
角度 ANGLE	±3°
30以上 OVER	+0.5
10以上 30未満 UNDER	+0.25
10未満 UNDER	+0.2
一般公差 GENERAL TOLERANCES	

52465-**-70	MODEL NO.	材料 MATERIAL	注記参照 SEE NOTES
		仕上げ FINISH	—
		適用電線範囲 WIRE RANGE	—
		被覆外径 INS. RANGE	—
記号 ITR	変更内容 REVISION RECORD	DRAWN BY '04/02/6 H.SHIMADOKURO	CHK'D BY '04/02/6 K.TOJO
Dr	DATE	APP'D BY '04/02/6 M.SASAO	尺度 SCALE

MOLEX-JAPAN CO.,LTD. 日本モレックス株式会社	
REVISE ONLY ON CAD SYSTEM	
TITLE 名称	
0.8 BtB Conn Hsg Assy	
SMT W/Boss Embstp Pkg	
-LEAD FREE-	
DWG. NO. (SHEET 1 OF 2)	REV
SD-52465-024	0

DWG. NO. SD-52465-024

DIMENSIONS IN METRIC DO NOT SCALE DRAWING



32	37.4	33.4	17.9	52465-4070	40
			17.1	52465-3870	38
24	29.4	25.4	16.3	52465-3670	36
			15.5	52465-3470	34
			14.7	52465-3270	32
			13.9	52465-3070	30
			13.1	52465-2870	28
			12.3	52465-2670	26
			11.5	52465-2470	24
			10.7	52465-2270	22
			9.9	52465-2070	20
キャリアテープ幅 CARRIER TAPE WIDTH			C	B	(A)
			MATERIAL NO.	極数 CIRCUIT	

52465-***70	材料 MATERIAL	参照 SHEET 1 OF 2 参照 REFER TO SHEET 1 OF 2
MODEL NO.	仕上げ FINISH	—
角度 ANGLE $\pm 3^\circ$	適用電線範囲 WIRE RANGE	—
30以上 OVER ± 0.2	被覆外径 INS. RANGE	—
10以上 30未満 UNDER ± 0.25	新製/作成 RELEASED	04/02/16
10未満 UNDER ± 0.2	記号 I.T.R.	変更内容 M.SASAO
一般公差 GENERAL TOLERANCES	記号 I.T.R.	変更内容 M.SASAO
	検査日 CHECK DATE	04/02/16
	検査者 CHECKER	M.SASAO
	検査場所 CHECK PLACE	
	検査機 CHECK MACHINE	
	検査方法 CHECK METHOD	

MOLEX-JAPAN CO., LTD. 日本モレックス株式会社	
REVISE ONLY ON CAD SYSTEM	
TITLE 名称	
0.8 BtB Conn Hsg Assy	
SMT W/Boss Embstp Pkg	
-LEAD FREE-	
DWG. NO. (SHEET 2 OF 2)	REV 0
SD-52465-024	

THIS DRAWING CONTAINS INFORMATION THAT IS PROPRIETARY TO MOLEX/JAPAN AND SHOULD NOT BE USED WITHOUT WRITTEN PERMISSION
本図面は日本モレックス（株）の所有する情報を含むもので 当社の許可なく複製を禁止する。 EN-01C(032)MXJ-32

8

7

6

5

4

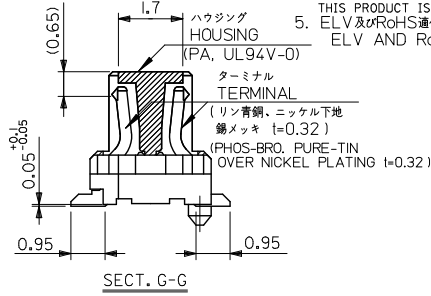
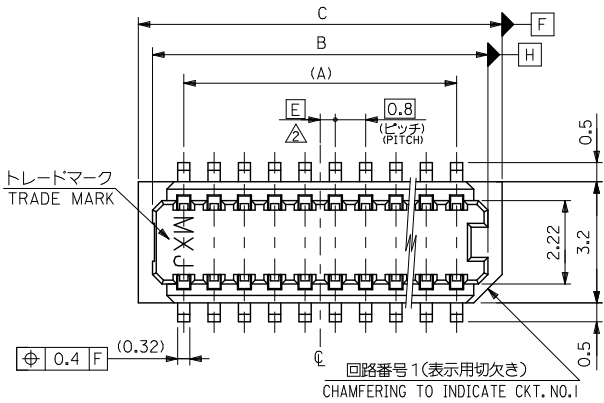
3

2

1

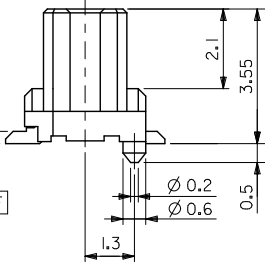
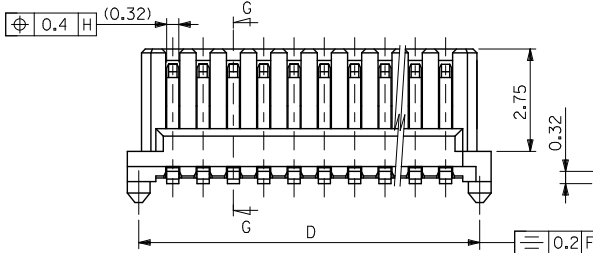
SD-52465024-002

10 9 8 7 6 5 4 3 2 1

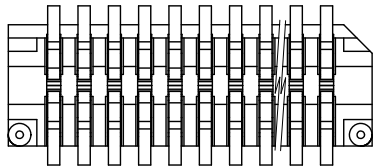


注記 NOTES

1. 嵌合相手: 53307-シリーズ, 53309-シリーズ
MATES WITH 53307,53309 SERIES.
2. ハウジングの C から隣接するターミナルの C 迄の位置を示す。
SHOW POSITION FROM C OF HOUSING TO C OF ADJACENT TERMINALS.
3. 一対の基板の嵌合に於いて、本製品を 2 個以上使用することは推奨できません。
MXJ DOES NOT RECOMMEND THE USAGE OF TWO OR MORE OF THESE CONNECTORS BETWEEN A SINGLE PAIR OF P. C. BOARD.
4. 本製品は 52465-***17 の鉛フリー品である。
THIS PRODUCT IS LEAD FREE OF 53465-***17.
5. ELV 及び RoHS 適合品
ELV AND RoHS COMPLIANT



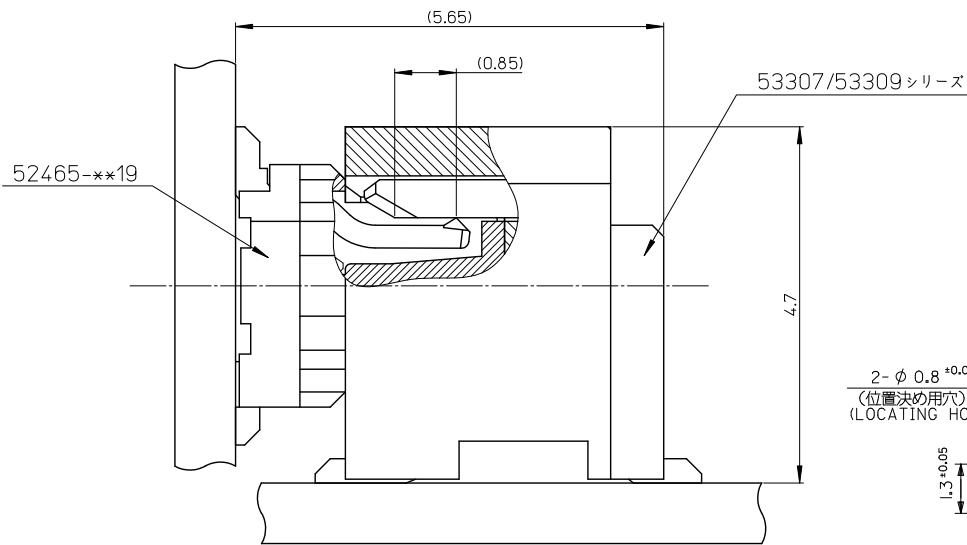
0.4	17.0	17.6	16.85	15.2	52465-4070	52465-4019	40
0.8	16.2	16.8	16.05	14.4	-3870	-3819	38
0.4	15.4	16.0	15.25	13.6	-3670	-3619	36
0.8	14.6	15.2	14.45	12.8	-3470	-3419	34
0.4	13.8	14.4	13.65	12.0	-3270	-3219	32
0.8	13.0	13.6	12.85	11.2	-3070	-3019	30
0.4	12.2	12.8	12.05	10.4	-2870	-2819	28
0.8	11.4	12.0	11.25	9.6	-2670	-2619	26
0.4	10.6	11.2	10.45	8.8	-2470	-2419	24
0.8	9.8	10.4	9.65	8.0	-2270	-2219	22
0.4	9.0	9.6	8.85	7.2	-2070	-2019	20
0.8	8.2	8.8	8.05	6.4	-1870	-1819	18
0.4	7.4	8.0	7.25	5.6	-1670	-1619	16
0.8	6.6	7.2	6.45	4.8	-1470	-1419	14
0.4	5.8	6.4	5.65	4.0	-1270	-1219	12
0.8	5.0	5.6	4.85	3.2	52465-1070	52465-1019	10



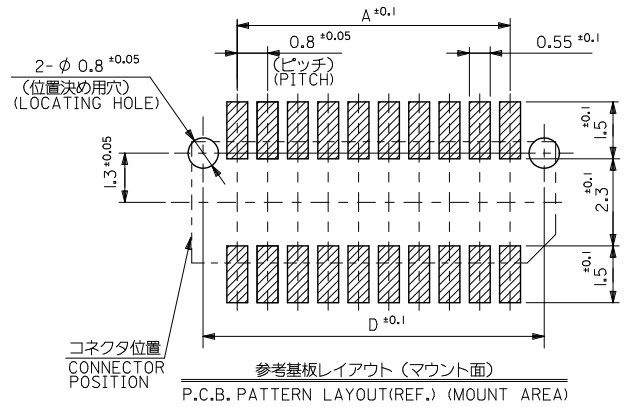
52465-***19	E	D	C	B	A	EMBOSSED TAPE	MATERIAL. NO.	極数 CKT.
MODEL NO.						ORDER No.オ-ゲ-88		

REVISED EC NO. J2010-0755 DRAWN BY DRWANKOYODA 2009/12/18 CHIKO-SMURUYAMA 2010/03/24 APPR:MSASAO 2010/03/25	GENERAL TOLERANCES (UNLESS SPECIFIED)		DIMENSION STYLE		SCALE	DESIGN UNITS	THIRD ANGLE PROJECTION	
			MM ONLY		---	METRIC		
	10 UNDER	± 0.20	DRAWN BY	DATE	TITLE			
	10 OVER 30 UNDER	± 0.25	HSI MABUKURO	'04/02/06	0.8 BOARD TO BOARD CONN. HOUSING ASSY SMT			
	30 OVER	± 0.30	CHECKED BY	DATE	MOLEX INCORPORATED			
ANGULAR	± 3 °	APPROVED BY	DATE	MATERIAL NO.				
DRAFT WHERE APPLICABLE MUST REMAIN WITHIN DIMENSIONS		MSASAO	'04/02/06	DOCUMENT NO.				
		SEE TABLE		SD-52465-025				
		SIZE A3		THIS DRAWING CONTAINS INFORMATION THAT IS PROPRIETARY TO MOLEX INCORPORATED AND SHOULD NOT BE USED WITHOUT WRITTEN PERMISSION				

10 9 8 7 6 5 4 3 2 1



有効嵌合長 (参考)
EFFECTIVE MATING LENGTH
(REFERENCE)



REVISED EC NO. J2010-0755 DRAWN BY DRANKIYODA 2009/12/18 CHKD-SHARUYAMA 2010/03/24 APPR-MSASAO 2010/03/25	GENERAL TOLERANCES (UNLESS SPECIFIED)		DIMENSION STYLE MM ONLY	SCALE ---	DESIGN UNITS METRIC	THIRD ANGLE PROJECTION
	10 UNDER	± 0.20	DRAWN BY HSHIMABUKURO	DATE '04/02/06	TITLE 0.8 BOARD TO BOARD CONN. HOUSING ASSY SMT	
	10 OVER 30 UNDER	± 0.25	CHECKED BY KTOJO	DATE '04/02/06	MOLEX INCORPORATED	
	30 OVER	± 0.30	APPROVED BY MSASAO	DATE '04/02/06	DOCUMENT NO. SD-52465-025	
	ANGULAR	± 3 °	MATERIAL NO.	SHEET NO. 2 OF 2		
	DRAFT WHERE APPLICABLE MUST REMAIN WITHIN DIMENSIONS		SIZE A3	THIS DRAWING CONTAINS INFORMATION THAT IS PROPRIETARY TO MOLEX INCORPORATED AND SHOULD NOT BE USED WITHOUT WRITTEN PERMISSION		