

Excellent Integrated System Limited

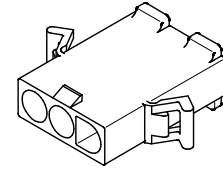
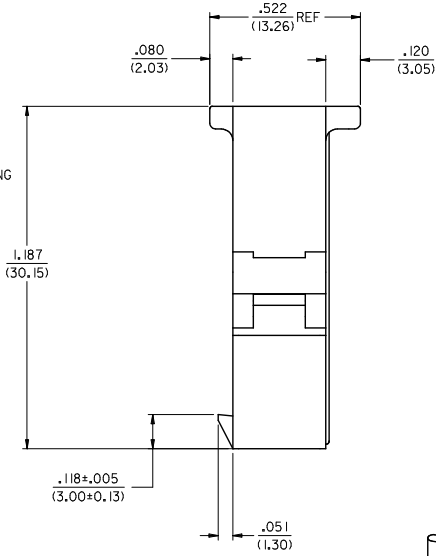
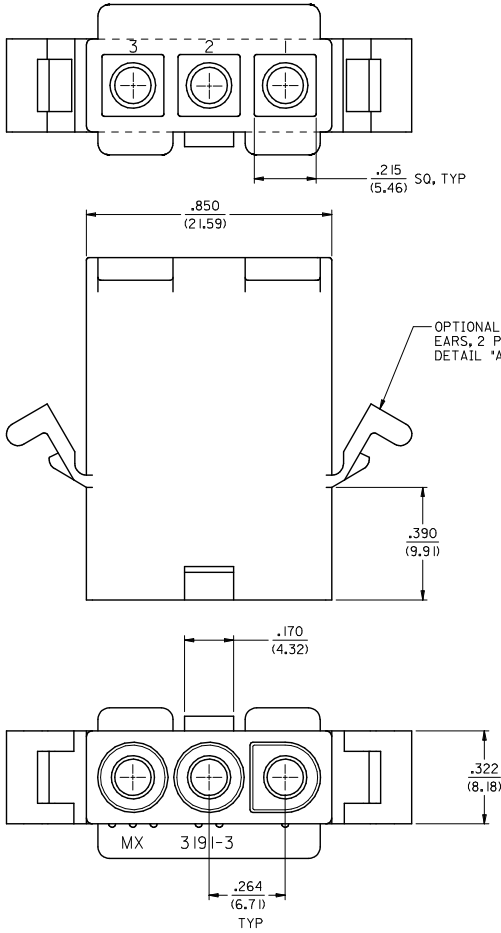
Stocking Distributor

Click to view price, real time Inventory, Delivery & Lifecycle Information:

[Molex Connector Corporation](#)
[0019093033](#)

For any questions, you can email us directly:

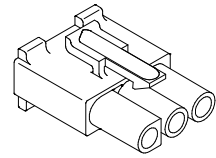
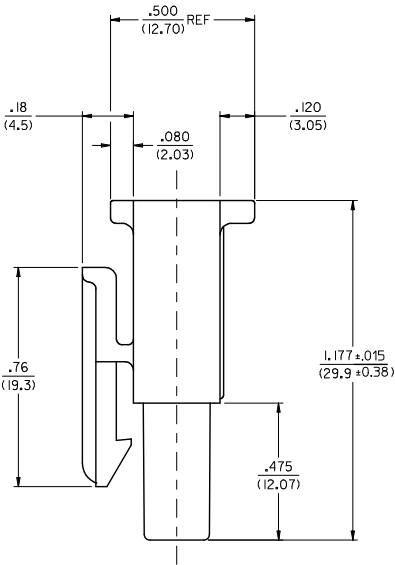
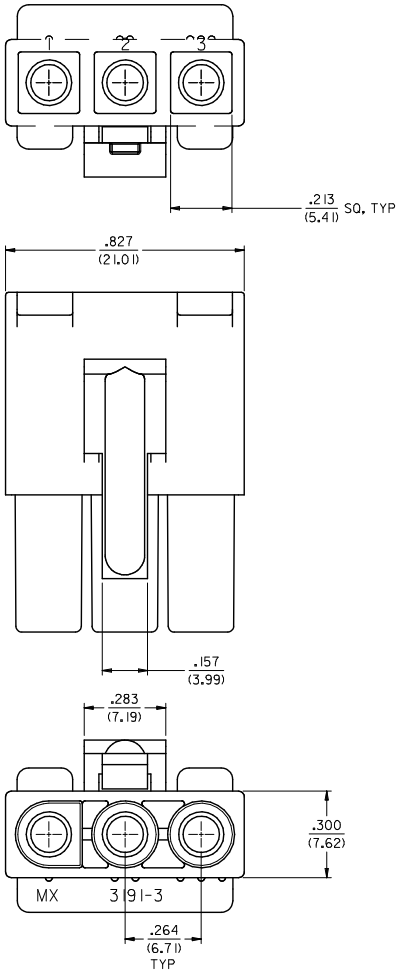
sales@integrated-circuit.com



PLUG

3	L2
2	L2
1	L2
	SHT. REV.

UPDATE REV. LEVELS EC NO: UCP204-2106 DRAWN BY: 2013/11/12 CHKD: BELL APPR: SMITH 2013/11/12 2013/11/13	QUALITY SYMBOLS ▽=0 ∇=0	GENERAL TOLERANCES (UNLESS SPECIFIED)		DIMENSION STYLE IN/MM		SCALE 4:1	DESIGN UNITS INCH	THIRD ANGLE PROJECTION	
		4 PLACES ± --- ± ---	mm	INCH	DRAWN BY	DATE	TITLE .093/(2.36) HOUSING PLUG AND RECEPTACLE, 3 CKT .264/(6.71) CTRS.		
		3 PLACES ± --- ± .010			CHECKED BY	DATE	Molex MOLEX INCORPORATED		
		2 PLACES ± 0.25 ± .015			APPROVED BY	DATE	MATERIAL NO. DOCUMENT NO. SHEET NO. SEE CHART SD-3191-3* 1 OF 3		
DRAFT WHERE APPLICABLE MUST REMAIN WITHIN DIMENSIONS		ANGULAR ± 1/2°		1 PLACE ± 0.38 ± ---		THIS DRAWING CONTAINS INFORMATION THAT IS PROPRIETARY TO MOLEX INCORPORATED AND SHOULD NOT BE USED WITHOUT WRITTEN PERMISSION			

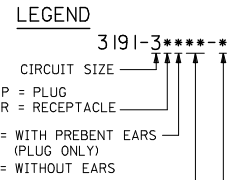


RECEPTACLE

REMOVE DIM. 28.75 EC NO: UCP204-Z106 DRAWING TAG: 2013/11/12 CHKD: BELL: 2013/11/12 APPR: SMITH: 2013/11/13	QUALITY SYMBOLS ▽=0 ▽=0	GENERAL TOLERANCES (UNLESS SPECIFIED)		DIMENSION STYLE IN/MM		SCALE 4:1	DESIGN UNITS INCH	THIRD ANGLE PROJECTION	
		4 PLACES ± --- ± ---	3 PLACES ± --- ± .010	DRAWN BY GWC	DATE 1996/01/08	TITLE .093/(2.36) HOUSINGS, PLUG AND RECEPTACLE, 3 CKT .264/(6.71) CTRS.			
		2 PLACES ± 0.25 ± .015	1 PLACE ± 0.38 ± ---	CHECKED BY RW	DATE 1996/01/08	MOLEX INCORPORATED			
		ANGULAR ± 1/2°		APPROVED BY RAS	DATE 1996/01/08	MATERIAL NO. SEE CHART	DOCUMENT NO. SD-3191-3*	SHEET NO. 2 OF 3	
DRAFT WHERE APPLICABLE MUST REMAIN WITHIN DIMENSIONS		THIS DRAWING CONTAINS INFORMATION THAT IS PROPRIETARY TO MOLEX INCORPORATED AND SHOULD NOT BE USED WITHOUT WRITTEN PERMISSION							

PLUG		
PART NO.	ENG. NO.	
19-09-2038	3191-3P	
19-09-2039	3191-3P1	
19-09-2037	3191-3P-201	
19-09-2036	3191-3P1-201	
19-09-1038	3191-3P1RD	OBSOLETE
19-09-3032	3191-3PRD	OBSOLETE
19-09-3033	3191-3PBU	

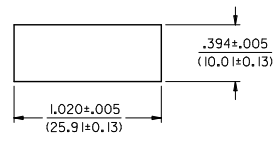
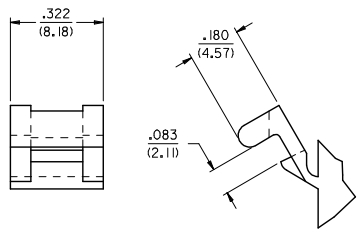
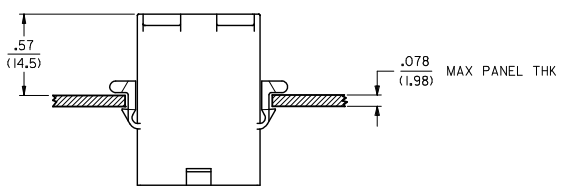
RECEPTACLE		
PART NO.	ENG. NO.	
19-09-1039	3191-3R1	
19-09-1036	3191-3R1-201	
19-09-3030	3191-3R1RD	OBSOLETE
19-09-5039	3191-3R1-2	



- NOTES:**
- MATERIAL: SEE LEGEND
 - FINISH: NONE
 - PRODUCT SPECIFICATION: PS-02-08
 - PACKAGING SPECIFICATION: PK-3191-001
 - PARTS CONFORM TO CLASS B REQUIREMENTS OF COSMETIC SPECIFICATION PS-45499-002.

COLOR: BLANK = NATURAL COLOR
 AM=AMBER BK=BLACK BU=BLUE
 BN=BROWN GY=GRAY GN=GREEN
 OR=ORANGE RD=RED YW=YELLOW
 COLORS AVAILABLE ONLY IN 94V-2 MATERIAL

MATERIAL: BLANK=NYLON TYPE 6/6,94V-2
 2 = NYLON TYPE PA66, 94V-0
 201=NYLON TYPE 6/6, 94V-0



DETAIL "A"
 PREBENT MOUNTING EAR
 (SCALE 4:1)

RECOMMENDED HOLE CUTOUT

UPDATE REV. LEVEL EC NO: UCP204-2106 DRAWING TAG: 2013/11/12 CHKD: APPR: SMITH 2013/11/13	QUALITY SYMBOLS ▽=0 ▽=0	GENERAL TOLERANCES (UNLESS SPECIFIED)		DIMENSION STYLE IN/MM		SCALE 2:1	DESIGN UNITS INCH	THIRD ANGLE PROJECTION		
		4 PLACES ± --- ± ---	3 PLACES ± --- ± .010	2 PLACES ± 0.25 ± .015	1 PLACE ± 0.38 ± ---	DRAWN BY GWC	DATE 1996/01/08	TITLE .093/(2.36) HOUSINGS, PLUG AND RECEPTACLE, 3 CKT .264/(6.71) CTRS.		
		ANGULAR ± 1/2°				CHECKED BY RW	DATE 1996/01/08	MOLEX INCORPORATED		
		DRAFT WHERE APPLICABLE MUST REMAIN WITHIN DIMENSIONS				APPROVED BY RAS	DATE 1996/01/08	MATERIAL NO. SEE CHART	DOCUMENT NO. SD-3191-3*	SHEET NO. 3 OF 3