

Excellent Integrated System Limited

Stocking Distributor

Click to view price, real time Inventory, Delivery & Lifecycle Information:

[Hammond Manufacturing](#)
[DNCE19BK1](#)

For any questions, you can email us directly:

sales@integrated-circuit.com

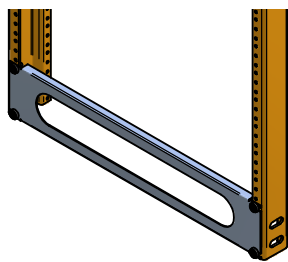
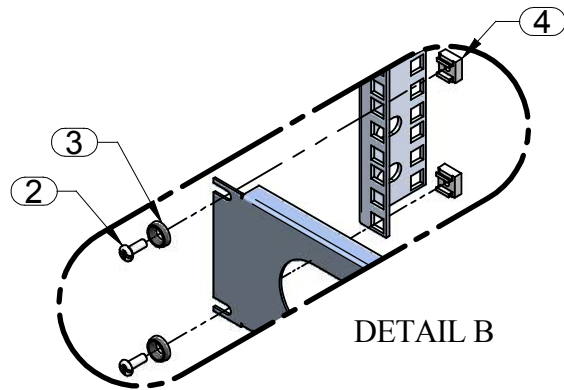
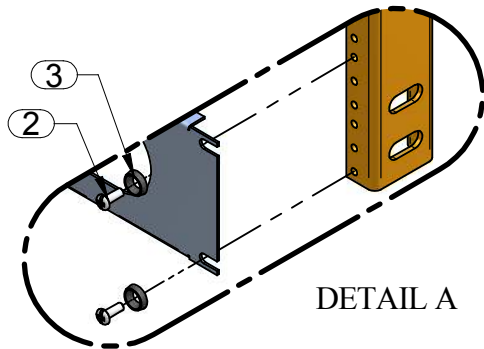
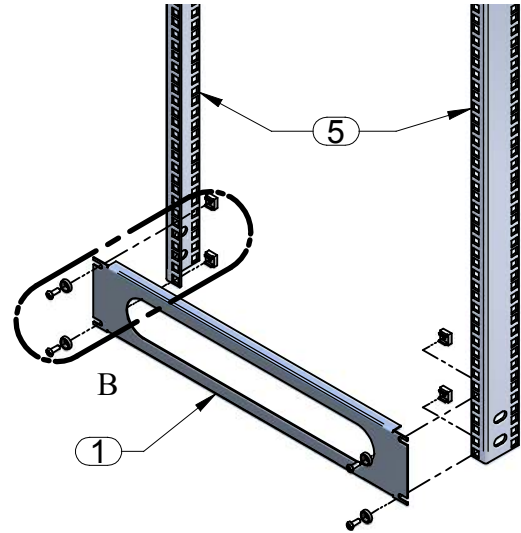
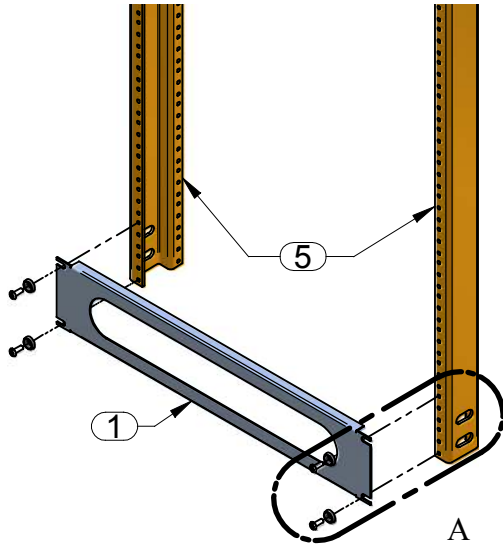
DNCE19

ASSEMBLY INSTRUCTIONS FOR RACK MOUNTED CABLE ENTRY PANEL

BUL10356

REV. A

PAGE 1 OF 1



COMPLETE ASSEMBLY

ASSEMBLY INSTRUCTIONS:

- A) Select height at which to mount the cable entry panel (item 1) on combination rails (item 5).
- B) If mounting rails have square cutouts insert 2 cage nuts (item 4) per rail at desired height. This can be done using a cage nut insertion tool. The cage nuts must be 2 U apart on each rail in order for the panel to line up. (Detail B)
- C) Line up the mounting slots on the cable entry panel (item 1) with holes on combination rails (item 5). Using 4 screws and washers (items 2 & 3) purchased for the combination rails secure the cable entry panel to the combination rails. (Details A & B)

PARTS LIST

ITEM No.	DESCRIPTION	QTY
1	RACK MOUNTED CABLE ENTRY PANEL	1
2	SCREWS (NOT INCLUDED)	4
3	WASHERS (NOT INCLUDED)	4
4	CAGE NUTS (NOT INCLUDED)	4
5	COMBINATION RAILS (NOT INCLUDED)	2

TOOL BOX



#2 Phillips Head
Screw Driver



**HAMMOND
MANUFACTURING™**
ELECTRONICS GROUP

visit our website @ www.hammondmfg.com