

Excellent Integrated System Limited

Stocking Distributor

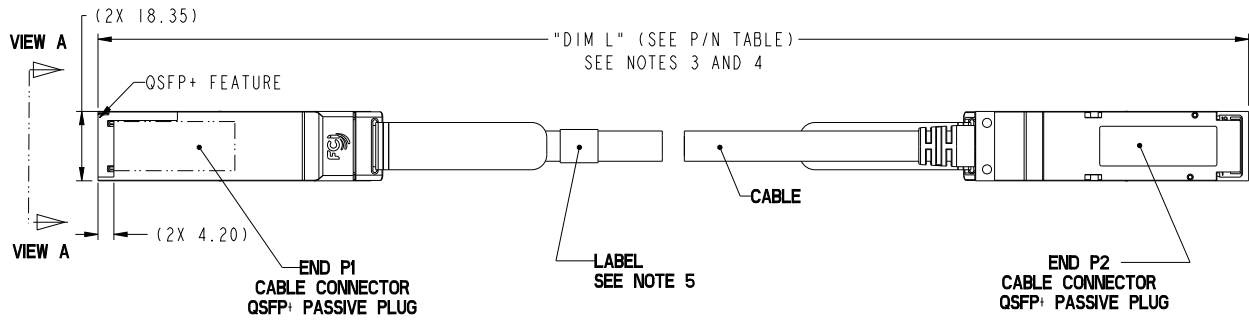
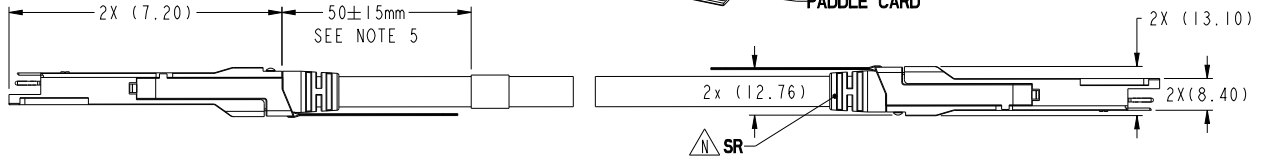
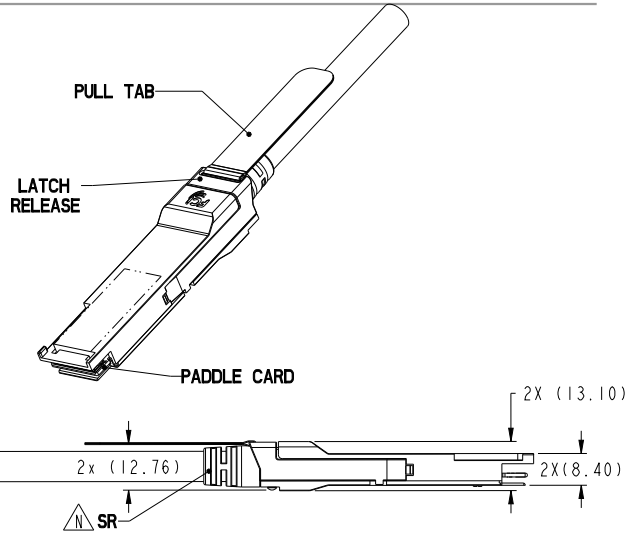
Click to view price, real time Inventory, Delivery & Lifecycle Information:

[FCI](#)
[10093084-1010LF](#)

For any questions, you can email us directly:

sales@integrated-circuit.com

PRODUCT NUMBER	DESCRIPTION	NOTES
10093084-20XXLF	NON-HF	SEE SHT. 4
10093084-20XXHFLF	HALOGEN FREE (HF)	SEE SHT. 5
10093084-30XXLF	NON-HF	SEE SHT. 4
10093084-30XXHFLF	HALOGEN FREE (HF)	SEE SHT. 5



Copyright FCI

spec ref	dr Deborah Ingram	20090720	projection	size A3	scale 3:10	
tolerance std	eng Steven Xu	20151025	mm	ecn no	ELN-22246-1	
TOLERANCES UNLESS OTHERWISE SPECIFIED				product family	rel level	Released
surface	linear	0.X ±0.3		title FINAL ASSEMBLY OSFP+ (PASSIVE) ASSEMBLY		
		0.XX ±0.10		eng no	10093084	rev
		0.XXX ±0.050		cat. no.	Product - Customer Drw	sheet 1 of 6
	angular	0° ±2°	www.fci.com			

Prod File - REV C - 2009-04-20

1

2

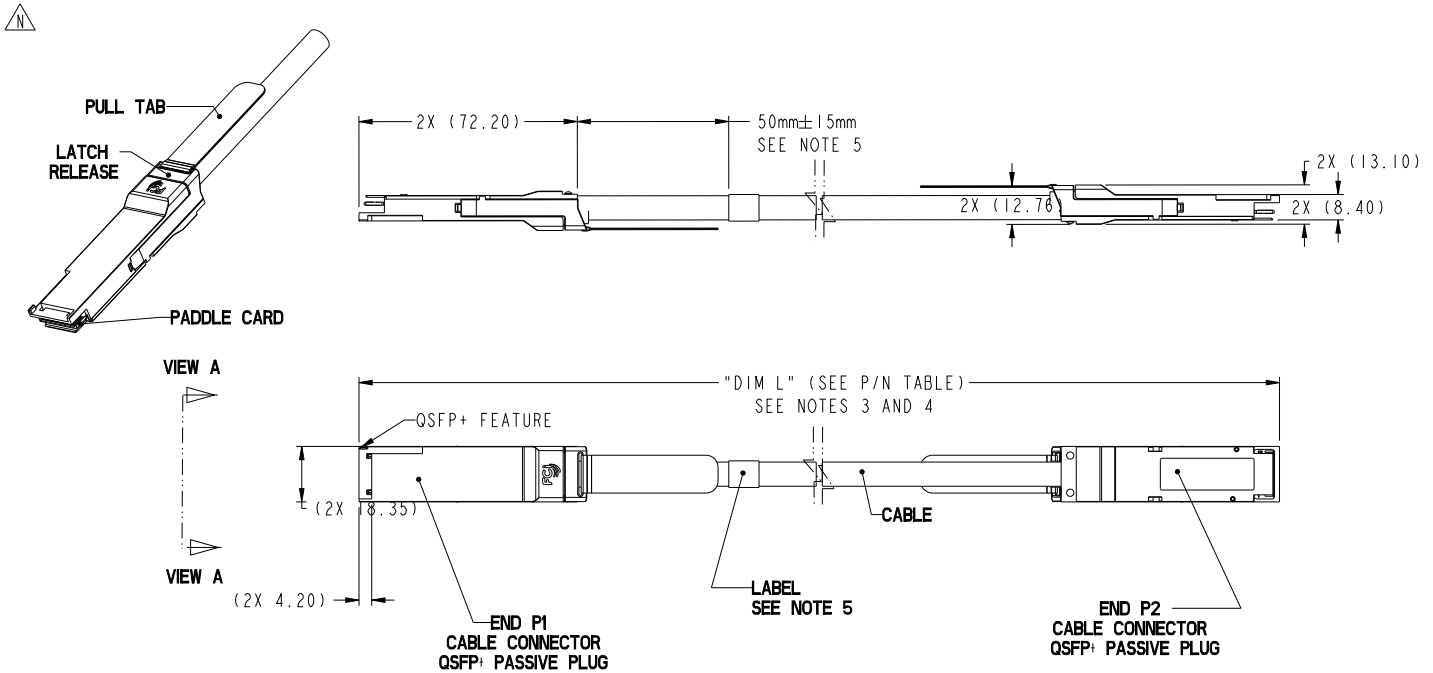
3

PDS: Rev N

STATUS: Released

Printed: Oct 26, 2015

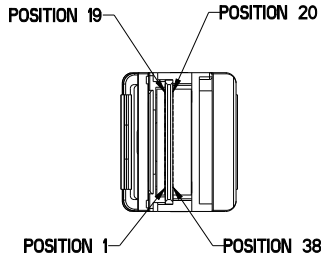
PRODUCT NUMBER	DESCRIPTION	NOTES
10093084-10XXLF	NON-HF	SEE SHT. 4
10093084-10XXHFLF	HALOGEN FREE (HF)	SEE SHT. 5
10093084-40XXLF	NON-HF	SEE SHT. 4
10093084-40XXHFLF	HALOGEN FREE (HF)	SEE SHT. 5
10093084-50XXLF	NON-HF	SEE SHT. 4
10093084-50XXHFLF	HALOGEN FREE (HF)	SEE SHT. 5



Copyright FCI.

spec ref	tolerance std	dr Deborah Ingram	20090720	projection	size A3	scale 1:2
	TOLERANCES UNLESS OTHERWISE SPECIFIED	eng Steven Xu	20151025	mm	ecn no	ELN-22246-1
		chr				
			appr Frank Mao	20151025	product family	QSFP PLUG
surface	linear			FINAL ASSEMBLY QSFP+ (PASSIVE) ASSEMBLY		eng no 10093084
	angular	www.fci.com		cat. no.		Product - Customer Drw
						rev N

Part File - REV C - 2009-04-20



**LOW SPEED SIGNALS
P1 & P2**

POSITION	SYMBOL
8	ModSe1L
9	ResetL
10	VccRx
11	SCL
12	SDA
27	ModPrsL
28	IntL
29	VccTx
30	VccI
31	LPMODE

WIRING LIST (SEE NOTE 6)					
END P1			END P2		
POSITION	SYMBOL		POSITION	SYMBOL	
1	GND (TX)	---▷	20	GND (RX)	
2	TX2n	---▷	21	RX2n	
3	TX2p	---▷	22	RX2p	
4	GND (TX)	---▷	23	GND (RX)	
5	TX4n	---▷	24	RX4n	
6	TX4p	---▷	25	RX4p	
7	GND (TX)	---▷	26	GND (RX)	
13	GND (RX)	△---	32	GND (TX)	
14	RX3p	△---	33	TX3p	
15	RX3n	△---	34	TX3n	
16	GND (RX)	△---	35	GND (TX)	
17	RX1p	△---	36	TX1p	
18	RX1n	△---	37	TX1n	
19	GND (RX)	△---	38	GND (TX)	
20	GND (RX)	△---	1	GND (TX)	
21	RX2n	△---	2	TX2n	
22	RX2p	△---	3	TX2p	
23	GND (RX)	△---	4	GND (TX)	
24	RX4n	△---	5	TX4n	
25	RX4p	△---	6	TX4p	
26	GND (RX)	△---	7	GND (TX)	
32	GND (TX)	---▷	13	GND (RX)	
33	TX3p	---▷	14	RX3p	
34	TX3n	---▷	15	RX3n	
35	GND (TX)	---▷	16	GND (RX)	
36	TX1p	---▷	17	RX1p	
37	TX1n	---▷	18	RX1n	
38	GND (TX)	---▷	19	GND (RX)	

SHIELD-----▷ SHIELD



Copyright FCI.

spec ref	tolerance std	TOLERANCES UNLESS OTHERWISE SPECIFIED		dr	Deborah Ingram	20090720	projection	mm	size	A3	scale	3:10	
		0.X	±0.3	eng	Shawn Xu	20151025			ecn no	ELN-2246-1			
		0.XX	±0.10	chr					rel level	Released			
		0.XXX	±0.050	appr	Frank Mao	20151025	product family	QSFP PLUG					
surface	✓	linear	0°			title	FINAL ASSEMBLY		dwg no	10093084		rev	N
		angular	±2°	www.fci.com		cat. no.		Product	Customer Draw		sheet 3 of 6		

Prod File - REV C - 2009-04-20

PART NUMBER	"DIM L" LENGTH (Meters)	AWG	NOTES
I0093084-1005LF	0.5	32	
I0093084-1010LF	1.0	32	NOTE 12
I0093084-2005LF	0.5	30	
I0093084-200ALF	0.75	30	
I0093084-2010LF	1.0	30	
I0093084-2015LF	1.5	30	
I0093084-2020LF	2.0	30	NOTE 12
I0093084-2025LF	2.5	30	
I0093084-2030LF	3.0	30	
I0093084-2050LF	5.0	30	
I0093084-2070LF	7.0	30	
I0093084-3005LF	0.5	28	
I0093084-3010LF	1.0	28	
I0093084-3015LF	1.5	28	
I0093084-3020LF	2.0	28	
I0093084-3025LF	2.5	28	
I0093084-3030LF	3.0	28	NOTE 12
I0093084-3035LF	3.5	28	
I0093084-3040LF	4.0	28	
I0093084-3045LF	4.5	28	
I0093084-3050LF	5.0	28	
I0093084-3070LF	7.0	28	
I0093084-4005LF	0.5	26	
I0093084-4010LF	1.0	26	
I0093084-4015LF	1.5	26	
I0093084-4020LF	2.0	26	
I0093084-4025LF	2.5	26	
I0093084-4030LF	3.0	26	
I0093084-4035LF	3.5	26	NOTE 12
I0093084-4040LF	4.0	26	
I0093084-4045LF	4.5	26	
I0093084-4050LF	5.0	26	
I0093084-4055LF	5.5	26	
I0093084-4060LF	6.0	26	
I0093084-4065LF	6.5	26	
I0093084-4070LF	7.0	26	

PART NUMBER	"DIM L" LENGTH (Meters)	AWG	NOTES
I0093084-5005LF	0.5	24	
I0093084-5010LF	1.0	24	
I0093084-5015LF	1.5	24	
I0093084-5020LF	2.0	24	
I0093084-5025LF	2.5	24	
I0093084-5030LF	3.0	24	
I0093084-5035LF	3.5	24	
I0093084-5040LF	4.0	24	
I0093084-5045LF	4.5	24	
I0093084-5050LF	5.0	24	NOTE 12
I0093084-5055LF	5.5	24	
I0093084-5060LF	6.0	24	
I0093084-5065LF	6.5	24	
I0093084-5070LF	7.0	24	
I0093084-5075LF	7.5	24	
I0093084-5080LF	8.0	24	
I0093084-5085LF	8.5	24	
I0093084-5090LF	9.0	24	
I0093084-5095LF	9.5	24	
I0093084-5100LF	10.0	24	

NON-HALOGEN FREE CABLE ASSEMBLY PART NUMBERS

spec ref	dr Deborah Ingram	20090720	projection	mm	size A3	scale 1:1
tolerance std	eng Shuen Xu	20151025			ecn no	ELN-N-22246-1
	chr					
	appr Frank Mao	20151025	product family	QSFP PLUG	rel level	Released
surface	linear	0.X ±0.3			title FINAL ASSEMBLY QSFP+ (PASSIVE) ASSEMBLY cat. no. Product - Customer Draw sheet 4 of 6	
		0.XX ±0.10				
		0.XXX ±0.050				
	angular	0° ±2°	www.fci.com	dwg no	10093084	
				rev	N	

Prod File - REC C - 2009-04-20

1

2

3

PDS: Rev N

STATUS: Released

Printed: Oct 26, 2015



Copyright FCI.

PART NUMBER	"DIM L" LENGTH (Meters)	AWG	NOTES
10093084-1005HFLF	0.5	32	NOTE 11
10093084-1010HFLF	1.0	32	
10093084-2005HFLF	0.5	30	NOTE 11
10093084-200AHFLF	0.75	30	
10093084-2010HFLF	1.0	30	
10093084-2015HFLF	1.5	30	
10093084-2020HFLF	2.0	30	
10093084-2025HFLF	2.5	30	
10093084-2030HFLF	3.0	30	
10093084-2050HFLF	5.0	30	
10093084-2070HFLF	7.0	30	
10093084-3005HFLF	0.5	28	
10093084-3010HFLF	1.0	28	
10093084-3015HFLF	1.5	28	
10093084-3020HFLF	2.0	28	
10093084-3025HFLF	2.5	28	
10093084-3030HFLF	3.0	28	
10093084-3035HFLF	3.5	28	
10093084-3040HFLF	4.0	28	
10093084-3045HFLF	4.5	28	
10093084-3050HFLF	5.0	28	
10093084-3070HFLF	7.0	28	
10093084-4005HFLF	0.5	26	NOTE 11
10093084-4010HFLF	1.0	26	
10093084-4015HFLF	1.5	26	
10093084-4020HFLF	2.0	26	
10093084-4025HFLF	2.5	26	
10093084-4030HFLF	3.0	26	
10093084-4035HFLF	3.5	26	
10093084-4040HFLF	4.0	26	
10093084-4045HFLF	4.5	26	
10093084-4050HFLF	5.0	26	
10093084-4055HFLF	5.5	26	
10093084-4060HFLF	6.0	26	
10093084-4065HFLF	6.5	26	
10093084-4070HFLF	7.0	26	

PART NUMBER	"DIM L" LENGTH (Meters)	AWG	NOTES
10093084-5005HFLF	0.5	24	NOTE 11
10093084-5010HFLF	1.0	24	
10093084-5015HFLF	1.5	24	
10093084-5020HFLF	2.0	24	
10093084-5025HFLF	2.5	24	
10093084-5030HFLF	3.0	24	
10093084-5035HFLF	3.5	24	
10093084-5040HFLF	4.0	24	
10093084-5045HFLF	4.5	24	
10093084-5050HFLF	5.0	24	
10093084-5055HFLF	5.5	24	
10093084-5060HFLF	6.0	24	
10093084-5065HFLF	6.5	24	
10093084-5070HFLF	7.0	24	
10093084-5075HFLF	7.5	24	
10093084-5080HFLF	8.0	24	
10093084-5085HFLF	8.5	24	
10093084-5090HFLF	9.0	24	
10093084-5095HFLF	9.5	24	
10093084-5100HFLF	10.0	24	

HALOGEN FREE CABLE ASSEMBLY PART NUMBERS

spec ref	dr Deborah Ingram	20090720	projection	mm	size A3	scale 3:10
tolerance std	eng Shuen Xu	20151025			ecn no	ELN-N-22246-1
	chr					
	appr Frank Mao	20151025	product family	QSFP PLUG	rel level	Released
surface	linear	0.X ±0.3			title FINAL ASSEMBLY QSFP+ (PASSIVE) ASSEMBLY	eng no 10093084
		0.XX ±0.10				
		0.XXX ±0.050				
	angular	0° ±2°	www.fci.com	cat. no.	Product - Customer Drw	sheet 5 of 6

PDS: Rev N

STATUS: Released

Printed: Oct 26, 2015



Copyright FCI.

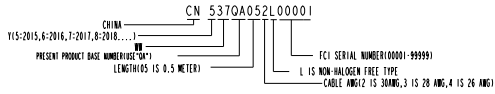
NOTES:

- ① MATERIAL:
 CASTINGS: ZINC ALLOY/ COPPER UNDERPLATE/ NICKEL OVERPLATE
 PULL TAB: THERMOPLASTIC POLYMER
 LATCH RELEASE: ZINC DIECAST - NICKEL OVERPLATE
 DRIVE SCREWS: STAINLESS STEEL
 STRAIN RELIEF COLLAR: BRASS
 SPRING: STAINLESS STEEL
 PADDLE CARD: PRINTED CIRCUIT SUBSTRATE
- 2 - THIS PRODUCT MEETS THE RESTRICTION OF HAZARDOUS SUBSTANCES IN ELECTRICAL AND ELECTRONIC EQUIPMENT (RoHS) DIRECTIVE (2002/95/EC)

- ③ THIS DIMENSION IS A FINISHED PRODUCT LENGTH.
- ④ UNLESS OTHERWISE SPECIFIED ASSEMBLED LENGTH TOLERANCE IS TO BE:
 "DIM L" < 1 METER = ± 25mm
 "DIM L" = 1 METER TO 10 METERS = ± 2% OF "DIM L"
 "DIM L" > 10 METERS = +0.00 / -4% OF "DIM L"

- ⑤ UNLESS OTHERWISE SPECIFIED LABEL POSITION IS TO BE 50mm FROM REAR OF CONNECTOR.
 LABEL DETAILS:
 MANUFACTURER CODE OR NAME COUNTRY ORIGIN
 CUSTOMER P/N OR FCI P/N
 REVISION
 DATE CODE (Y/WW FORMAT) - SERIAL NUMBER
 2D BAR CODE OF SERIAL NUMBER

FCI CHINA
 10093084-2005LF
 REV.N
 CNS370A052L00001



FONT SHALL BE CLEARLY VISIBLE AND BLACK IN COLOR.

- ⑥ ALL CABLE ASSEMBLIES SHALL BE 100% TESTED FOR CONTINUITY AS DEFINED IN WIRING LIST.
- 7 - IMPEDANCE: 100Ω DIFFERENTIAL.
- 8 - OTHER TESTING PERFORMED AS REQUIRED BY PRODUCT SPECIFICATION: GS-12-622.
- 9 - PACKAGING OF LEAD FREE PRODUCTS MEETS LABELING AND PACKAGING PER SPECIFICATION GS-14-920. PACKAGE CABLE ASSEMBLIES PER GS-14-1272. DUST CAPS ARE TO BE ASSEMBLED PRIOR TO PACKAGING.
- 10. A "△" SYMBOL WILL BE NEXT TO ANY DIMENSION, VIEW, OR NOTE WHICH HAS BEEN MODIFIED WITH THE CURRENT DRAWING REVISION. THE CURRENT REVISION WILL BE SHOWN IN THE SYMBOL.

- ⑪ "HF" PRODUCT NUMBERS DESIGNATE THE USE OF HALOGEN FREE RAW CABLE.
- ⑫ HALOGEN FREE RAW CABLE CAN BE USED AS A SUBSTITUTE ON NON-HF PRODUCT NUMBERS.
- 13. LONGER LENGTH APPLICATIONS REQUIRE HOST SYSTEM PREMPHASIS AND/OR EQUALIZATION.
- 14. PRODUCT CAPABILITY MATRIX SHOWS THE MINIMUM RECOMMENDED CABLE GAUGE PER LENGTH TO MEET THE PERFORMANCE LEVEL OF EACH INDUSTRY STANDARD.
- 15. RAW CABLE IS OPTIONAL WHICH HAD BEEN QUALIFIED BY FCI AND MEET FCI PRODUCT SPEC GS-12-622

PRODUCT CAPABILITY MATRIX (SEE NOTE 14)

PERFORMANCE LEVEL	CABLE LENGTH / AWG									
	1M	2M	3M	4M	5M	6M	7M	8M	9M	10M
Infiniband - QDR	30	30	30	28	26	24				
Infiniband - DDR	30	30	30	28	28	26	26	24	24	24
Infiniband - SDR	30	30	30	28	28	26	26	24	24	24

Copyright FCI.

spec ref	dr Deborah Ingram	20090720	projection	mm	size A3	scale 3:10
tolerance std	eng Shuen Xu	20151025	chr		ecn no	ELN-W-22246-1
TOLERANCES UNLESS OTHERWISE SPECIFIED	chr		appr Frank Mao	20151025	product family	QSFP PLUG
	surface	linear	0.X ±0.3	0.XX ±0.10	0.XXX ±0.050	angular 0° ±2°
www.fci.com			title FINAL ASSEMBLY		cat. no.	10093084
			OSFP+ (PASSIVE) ASSEMBLY		rev	N
			Product - Customer Drw		sheet	6 of 6