

Excellent Integrated System Limited

Stocking Distributor

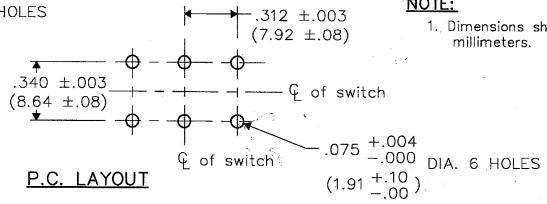
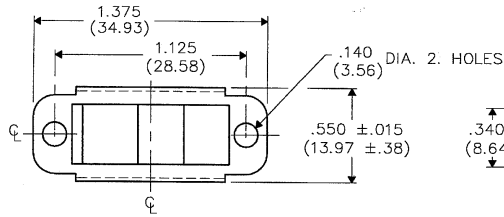
Click to view price, real time Inventory, Delivery & Lifecycle Information:

[CW Industries](#)
[GR5-626-6010](#)

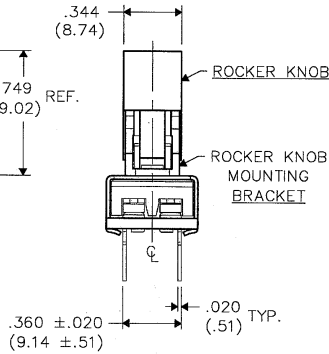
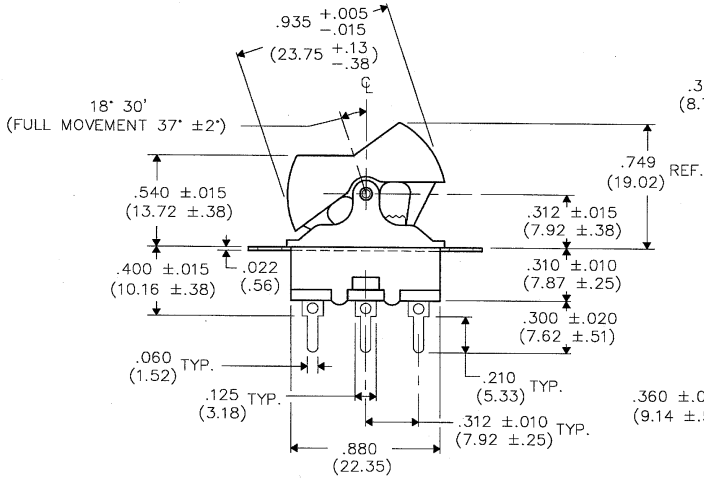
For any questions, you can email us directly:
sales@integrated-circuit.com

DIMENSIONS IN INCHES (MILLIMETERS)
 DO NOT SCALE DRAWING

Dwg. No.
GR5-626-6010



NOTE:
 1. Dimensions shown in () are in millimeters.



FORM-B
 REVISIONS
 0
 RELEASED
 DCW 2-13-95
 CA 2/15/95
 FEB 15, 1995

CW INDUSTRIES
 Southampton, Pa. 18966

TOLERANCES UNLESS OTHERWISE SPECIFIED
 2 Place decimal ±.010 METRIC
 3 Place decimal ±.005 1 Place dec. ±.25mm
 Angles ± 1° 2 Place dec. ±.13mm

Made for: CW IND.

Drawn by: DCW 2-13-95

Checked by: G. GULD 2-14-95

Approved: C. Amis 2/16/95

Title:
SWITCH ASSEMBLY D.P. - D.T.

Division:
SWITCH

Dwg. No.
GR5-626-6010

MASTER